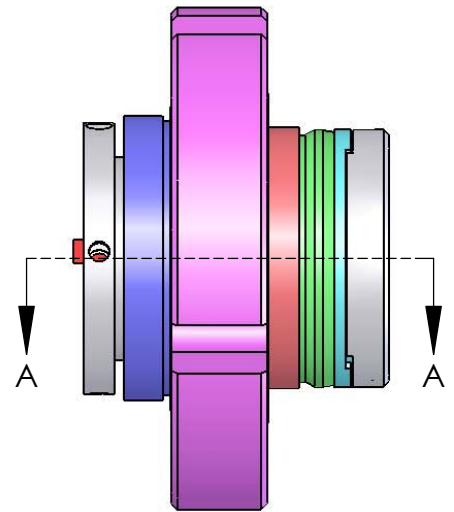
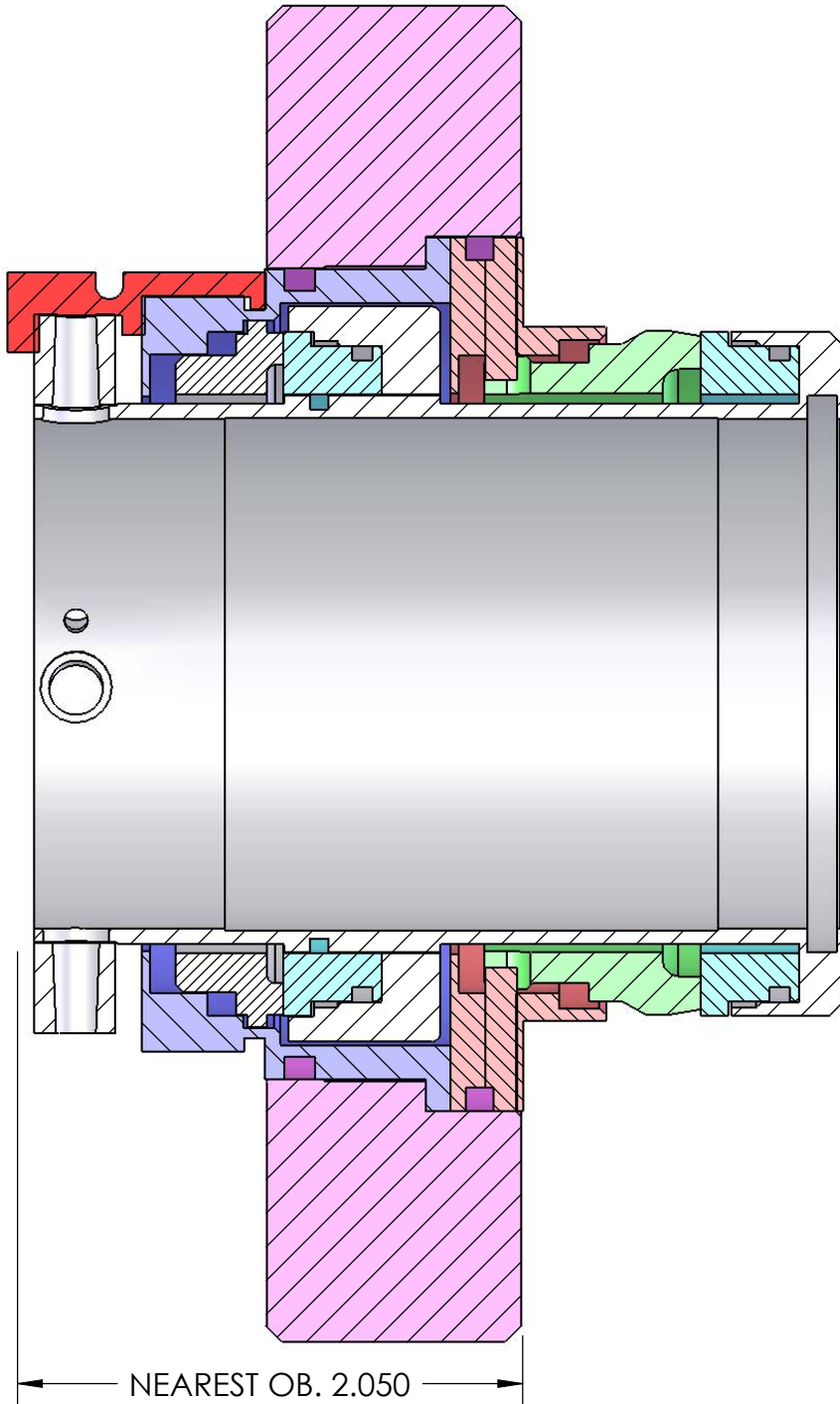
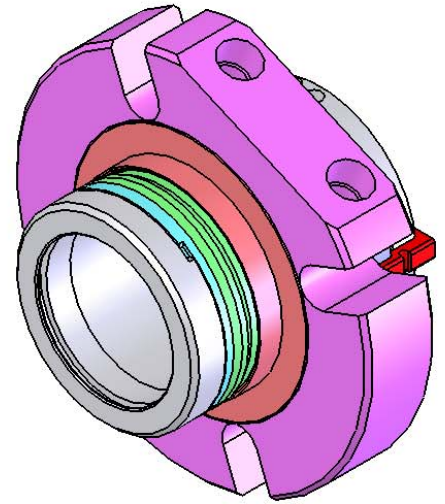


# 2" ZDT SHORT CARTRIDGE SEAL



**PROPRIETARY AND CONFIDENTIAL**  
 THE INFORMATION CONTAINED IN THIS DRAWING IS THE SOLE PROPERTY OF ZMT, INC. ANY REPRODUCTION IN PART OR AS A WHOLE WITHOUT THE WRITTEN PERMISSION OF ZMT, INC. IS PROHIBITED.

**SECTION A-A**

DIMENSIONS ARE IN INCHES UNLESS OTHERWISE SHOWN TWO PLACE DECIMAL ±0.01 THREE PLACE DECIMAL ±0.005 BREAK ALL CORNERS 0.010 FACES CONCENTRIC & PARALLEL ±0.002	
MATERIAL	SiC/HTCBN/316
FINISH	
DO NOT SCALE DRAWING	

NAME	DATE
DRAWN	1/7/2008
CHECKED	
ENG APPR.	
MFG APPR.	
Q.A.	
DESCRIPTION: 2" ZDT-SHORT CARTRIDGE SEAL	

ZM TECHNOLOGIES	
	
SIZE	DWG. NO.
<b>A</b>	ZDT2000R2
SCALE: 1:2	WEIGHT:
SHEET	OF

REV.