



ZD U1 Parts Lists

- [U1 O-Ring Seal Components](#)
- [U1 Mechanical Seal Components](#)
- [006-024 U1 Pump Parts](#)
- [030-034 U1 Pump Parts](#)
- [060-134 U1 Pump Parts](#)
- [220-224 U1 Pump Parts](#)
- [320 U1 Pump Parts](#)
- [320 U1 Seal Components](#)

ZD U2 Parts Lists

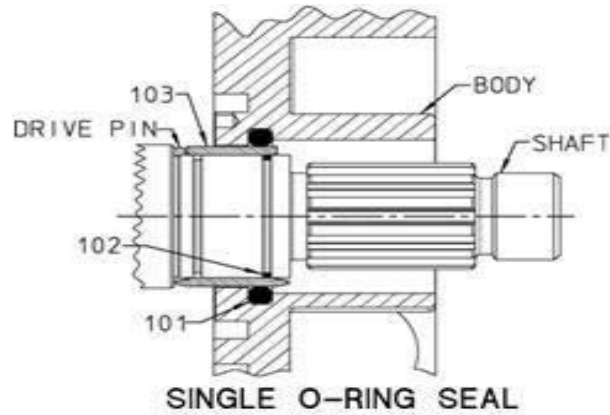
- [U2 Mechanical Seal Components](#)
- [006-018 U2 Pump Parts](#)
- [030-034 U2 Pump Parts](#)
- [045-134 U2 Pump Parts](#)
- [180-224 U2 Pump Parts](#)
- [210-320 U2 Pump Parts](#)

ZD Evolution Parts Lists

- [ZD Evolution Mechanical Seal Components](#)
- [006-018 Evo Pump Parts](#)
- [030-034 Evo Pump Parts](#)
- [045-134 Evo Pump Parts](#)
- [180-224 Evo Pump Parts](#)
- [210-320 Evo Pump Parts](#)

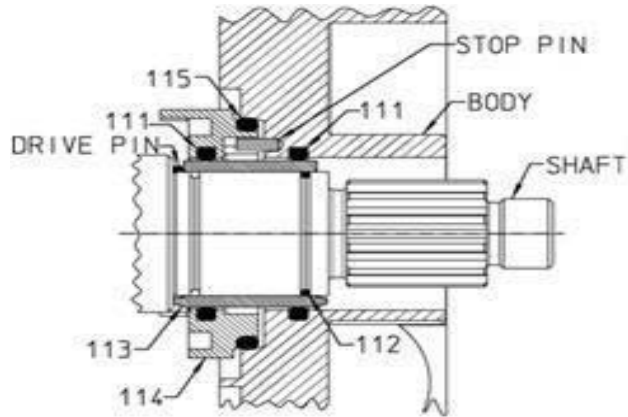
Click on the links above to go to the selected parts pages

revised-8/15/13



ZD U1 Single O-ring Seal:

Item	Description	Quantity Per Pump	U1-006, 015, 018, 024 ZMT Part No.	U1-030, 034 ZMT Part No.	U1-060, 064, 130, 134 ZMT Part No.	U1-220, 224 ZMT Part No.
101	Body O-Ring - Buna	2	WAD0-079-000	WN70327	WN70331	WN70338
	Body O-Ring - EPDM		WAD0-079-002	WE70327	WE70331	WE70338
	Body O-Ring - Viton®		WAD0-079-V00	WV70327	WV70331	WV70338
	Body O-Ring - Silicone		WAD0-079-SC0	WS75327	WS75331	WS75338
102	Shaft O-Ring - Buna	2	WN70022	WN70028	WN70131	WN70144
	Shaft O-Ring - EPDM		WE70022	WE70028	WE70131	WE70144
	Shaft O-Ring - Viton®		WV70022	WV70028	WV70131	WV70144
	Shaft O-Ring - Silicone		WS75022	WS75028	WS75131	WS75144
103	Sleeve SS	2	W015-098-000	W030-098-000	W060-098-000	W220-098-000
	Sleeve Zirconia		W015-098-004	W030-098-004	W060-098-004	W220-098-004



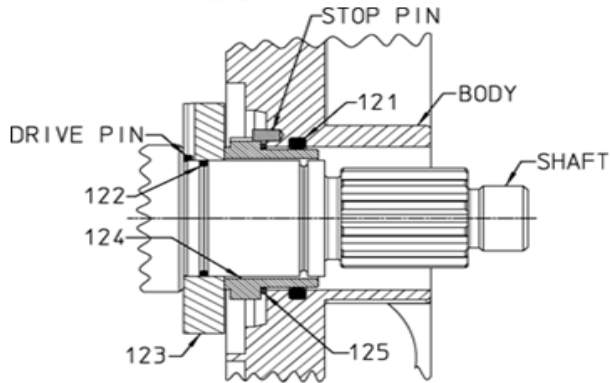
DOUBLE O-RING SEAL

ZD U1 Double O-ring Seal:

Item	Description	Quantity Per Pump	U1-006, 015, 018, 024 ZMT Part No.	U1-030, 034 ZMT Part No.	U1-060, 064, 130, 134 ZMT Part No.	U1-220, 224 ZMT Part No.
111	Body O-Ring - Buna	4	WAD0-079-000	WN70327	WN70331	WN70338
	Body O-Ring - EPDM		WAD0-079-002	WE70327	WE70331	WE70338
	Body O-Ring - Viton®		WAD0-079-V00	WV70327	WV70331	WV70338
	Body O-Ring - Silicone		WAD0-079-SC0	WS75327	WS75331	WS75338
112	Shaft O-Ring - Buna	2	WN70022	WN70028	WN70131	WN70144
	Shaft O-Ring - EPDM		WE70022	WE70028	WE70131	WE70144
	Shaft O-Ring - Viton®		WV70022	WV70028	WV70131	WV70144
	Shaft O-Ring - Silicone		WS75022	WS75028	WS75131	WS75144
113	Sleeve SS	2	W015-098-000	W030-098-000	W060-098-000	W220-098-000
	Sleeve Zirconia		W015-098-004	W030-098-004	W060-098-004	W220-098-004
114*	O-Ring Seal Carrier	2	W015-034-000	W030-034-000	W060-034-000	W220-034-001
115	Outer Seal O-Ring - Buna	2	WN50228	WN50335	WN50338	WN50344
	Outer Seal O-Ring - EPDM		WE50228	WE50335	WE50338	WE50344
	Outer Seal O-Ring - Viton®		WV50228	WV50335	WV50338	WV50344



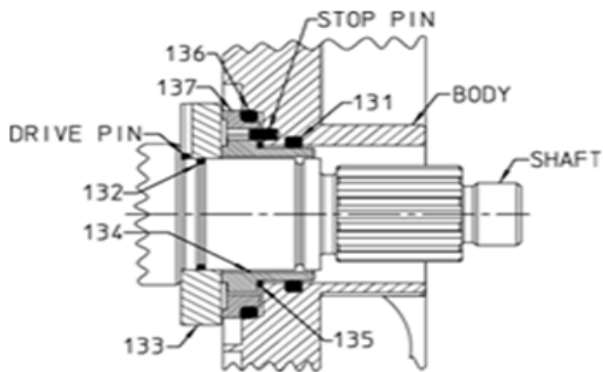
[Back to Index](#)



U1 Single Mechanical Seal - OEM Style

ZD U1 Single Mechanical Seal:

Item	Description	Quantity Per Pump	U1-006, 015, 018, 024 ZMT Part No.	U1-030, 034 ZMT Part No.	U1-060, 064, 130, 134 ZMT Part No.	U1-220, 224 ZMT Part No.
121	Body O-Ring - Buna	2	WAD0-079-000	WN70327	WN70331	WN70338
	Body O-Ring - EPDM		WAD0-079-002	WE70327	WE70331	WE70338
	Body O-Ring - Viton®		WAD0-079-V00	WV70327	WV70331	WV70338
	Body O-Ring - Silicone		WAD0-079-SC0	WS75327	WS75331	WS75338
122	Shaft O-Ring - Buna	2	WN70022	WN70028	WN70131	WN70144
	Shaft O-Ring - EPDM		WE70022	WE70028	WE70131	WE70144
	Shaft O-Ring - Viton®		WV70022	WV70028	WV70131	WV70144
	Shaft O-Ring - Silicone		WS75022	WS75028	WS75131	WS75144
123	Seal Seat, Ceramic	2	W006-00-7000	W030-00-7000	W130-00-7000	W220-00-7000
	Seal Seat, Silicon Carbide		W006-00-2000	W030-00-2000	W130-00-2000	W220-00-2000
	Seal Seat, Silicon Carbide - 2 piece		W006Z-00-2000	W030Z-00-2000	W130Z-00-2000	W220Z-00-2000
	Seal Seat, Chrome Oxide		W015-014-001	W030-014-001	W060-014-001	W220-014-001
124	Inner Seal, Carbon - 1 piece	2	W006-00-0500	W030-00-0500	W130Z-00-0500	W220Z-00-0500
	Inner Seal, Ceramic		W006-00-0700	W030-00-0700	W130Z-00-0700	W220Z-00-0700
	Inner Seal, Silicon Carbide		W006-00-0200	W030-00-0200	W130Z-00-0200	W220Z-00-0200
	Inner Seal, Chrome Oxide		W015-306-002	W030-306-002	W060-306-002	W220-306-002
125	Wave Spring	2	W015-304-000	W030-304-000	W060-304-000	W220-304-000
--	006 - 024 ZMT Engineered Complete Single Seal	2	W006Z-00-2200E	W030Z-00-2200E	W130Z-00-2200E	W220Z-00-2200E



U1 Double Mechanical Seal - OEM Style

ZD U1 Double Mechanical Seal:

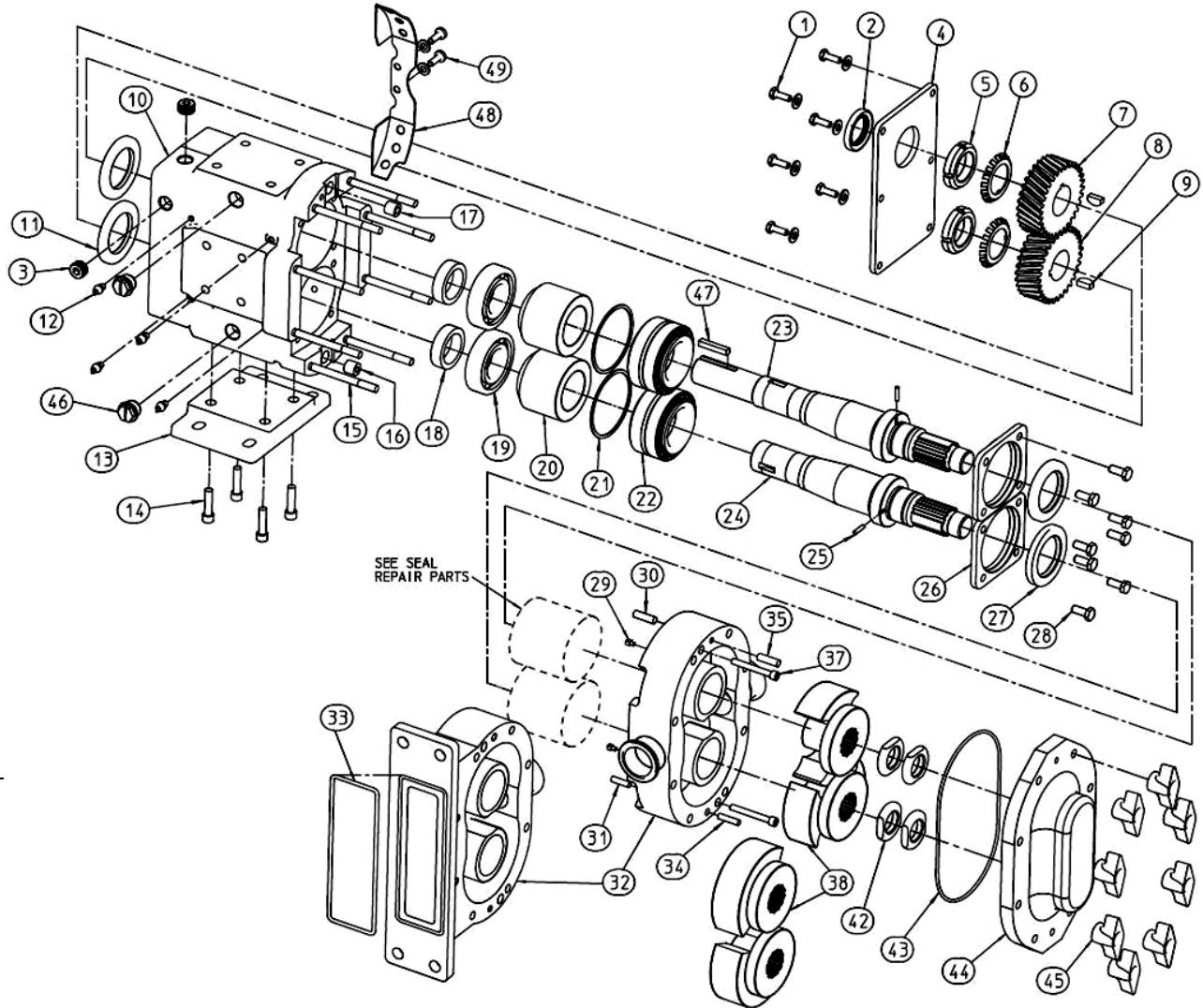
Item	Description	Quantity Per Pump	U1-006, 015, 018, 024 ZMT Part No.	U1-030, 034 ZMT Part No.	U1-060, 064, 130, 134 ZMT Part No.	U1-220, 224 ZMT Part No.
131	Body O-Ring - Buna	2	WAD0-079-000	WN70327	WN70331	WN70338
	Body O-Ring - EPDM		WAD0-079-002	WE70327	WE70331	WE70338
	Body O-Ring - Viton®		WAD0-079-V00	WV70327	WV70331	WV70338
	Body O-Ring - Silicone		WAD0-079-SC0	WS75327	WS75331	WS75338
132	Shaft O-Ring - Buna	2	WN70022	WN70028	WN70131	WN70144
	Shaft O-Ring - EPDM		WE70022	WE70028	WE70131	WE70144
	Shaft O-Ring - Viton®		WV70022	WV70028	WV70131	WV70144
	Shaft O-Ring - Silicone		WS75022	WS75028	WS75131	WS75144
133	Seal Seat, Ceramic	2	W006-00-7000	W030-00-7000	W130-00-7000	W220-00-7000
	Seal Seat, Silicon Carbide		W006-00-2000	W030-00-2000	W130-00-2000	W220-00-2000
	Seal Seat, Chrome Oxide		W015-014-001	W030-014-001	W060-014-001	W220-014-001
134	Inner Seal, Carbon - 1 piece	2	W006-00-0500	W030-00-0500	W130Z-00-0500	W220Z-00-0500
	Inner Seal, Ceramic		W006-00-0700	W030-00-0700	W130Z-00-0700	W220Z-00-0700
	Inner Seal, Silicon Carbide		W006-00-0200	W030-00-0200	W130Z-00-0200	W220Z-00-0200
	Inner Seal, Chrome Oxide		W015-306-002	W030-306-002	W060-306-002	W220-306-002
135	Wave Spring	2	W015-304-000	W030-304-000	W060-304-000	W220-304-000
136	Outer Seal O-Ring - Buna	2	WN50228	WN50335	WN50338	WN50344
	Outer Seal O-Ring - EPDM		WE50228	WE50335	WE50338	WE50344
	Outer Seal O-Ring - Viton®		WV50228	WV50335	WV50338	WV50344
137	Outer Seal, Carbon - 1 piece	2	W006-00-0005	W030-00-0005	W130-00-0005	W220-00-0005

Viton® - Registered Trademark of DuPont Performance Elastomers.

ZM Technologies, Inc. grants license to its authorized distributors to copy, modify and distribute these repair parts sheets to their customers as necessary to meet business needs.



PARTS LIST - ZDU1-006, 015, 018, 024



Item	Description	Quantity Per Pump	Reference Part No.	ZMT Part No.
1	HH Capscrew, G5Z, GBX Cover, Model 006--024	6	30-287	FHCS25020-075-G5Z
1a	Washer, GBX Cover Capscrew, Model 006--024	6	43-108	FFW250C
2	Oil Seal - Gear Case Cover	1	000030016	W000-030-016
3	Oil Plug 006-018, Gearbox	6	000046002	W000-046-002
4	Gear Case Cover, Steel (includes installed seal)	1	020106000	W020-106-000
	Gear Case Cover, SS (includes installed seal)		102280	W102280
5	Lock Nut - Gear	2	STD236005	WSTD-236-005
6	Lock Washer - Gear	2	STD136005	WSTD-136-005
7	Gear Drive Shaft	1	015007001	W015-007-001
8	Gear Short Shaft	1	015007002	W015-007-002
9	Key, Gear	2	015037000	W015-037-000
10*	Gear Case, CI	1	102276	W102276



PARTS LIST - ZDU1-006, 015, 018, 024

Item	Description	Quantity Per Pump	Reference Part No.	ZMT Part No.
	Gear Case, SS		101831	W101831
11	Oil Seal Rear	2	000030017	W000-030-017
12	Grease Fitting 1/8	8	BD0092000	WBD0-092-000
13*	Mounting Shim (Gear Case Base), CI	1	020110000	W020-110-000
	Mounting Shim (Gear Case Base), SS		102284	W102284
14	SH Capscrew, G8Z, Mount/Base, Model 006-024	4	30-343	FSHCS31318-100-G8Z
15	Stud	8	AD0011000	WAD0-011-000
	Stud Jacketed Cover		AD0011J00	WAD0-011-J00
	Stud	8	018011000	W018-011-000
	Stud Jacketed Cover		AD0011100	WAD0-011-100
	Stud	6	018011000	W018-011-000
	Short Stud, Std Cover - 024-U1	2	35547	W35547
	Stud Jacketed Cover	6	AD0011100	WAD0-011-100
	Stud, Jacketed Cover, U1-018	2	35548	W35548
16	Dowel Bushing, Lower	1	AD0116100	WAD0-116-100
17	Dowel Bushing, Upper	1	AD0116000	WAD0-116-000
18	Spacer Gear to Rear Bearing	2	015055000	W015-055-000
19	Rear Bearing	2	015035000	W015-035-000
20*	Spacer Bearing	2	101814	W101814
21*	006 - 024 Shim Kit	2	117889	W117889
22*	Front Bearing	2	101714	W101714
23*	Drive Shaft (316L SS) Model 006, 015 U1 (post 07/2001)	1	114642	W114642
	Drive Shaft (316L SS) Model 018 - 024 U1 (post 07/2001)		114644	W114644
24*	Idle Shaft (316L SS) Model 006, 015 U1 (post 07/2001)	1	114643	W114643
	Idle Shaft (316L SS) Model 018 - 024 U1 (post 07/2001)		114645	W114645
25	Drive Pin	2	CD0126000	WCD0-126-000
26*	Bearing Retainer Front	2	120332	W120332
27*	Grease Seal Front Brg Ret	2	121679	W121679
28	BH Capscrew, SS, Brg Ret, Model 006--024	8	30-58	FBHCS25020-075-SS
29	Stop Pin Seal	2	015126000	W015-126-000
30	Dowel Pin, Upper Gear Case Side	1	AD0040R00	WAD0-040-R00
31	Dowel Pin, Lower Gear Case Side	1	AD0040R10	WAD0-040-R10
32	Pump Body - 015 U1	1	--	W015-001-010
	Pump Body - 015 U1		--	W015-001-010
	Pump Body - 018 U1		--	W018-001-010
	Pump Body - 024 U1		--	W024-001-010
33	Flange O-Ring - Buna (Model 024)	1	N70241	WN70241
	Flange O-Ring - Viton® (Model 024)		V70241	WV70241
34	Dowel (lower cover)	1	AD0040100	WAD0-040-100
35	Dowel (upper cover)	1	AD0040000	WAD0-040-000
37	SH Capscrew, SS, Body Retaining, Model 006--015	2	30-523	FSHCS25020-125-SS
	SH Capscrew, SS, Body Retaining, Model 018--030		30-211	FSHCS25020-200-SS
38	Rotor Twin Blade - #W88 Alloy - Model 006 U1		006010000	W006-010-000
	Rotor Twin Blade - #W88 Alloy - Model 006 U1 + .040		-----	W006-010-000-040
	Rotor Twin Blade - #W88 Alloy - Model 006 U1 + .080		-----	W006-010-000-080
	Rotor Twin Blade - #W88 Alloy - Model 015 U1		015010000	W015-010-000



PARTS LIST - ZDU1-006, 015, 018, 024

	Rotor Twin Blade - #W88 Alloy - Model 015 U1 + .040	2	-----	W015-010-000-040
	Rotor Twin Blade - #W88 Alloy - Model 015 U1 + .080		-----	W015-010-000-080
	Rotor Twin Blade - #W88 Alloy - Model 018 - 024 U1		018010000	W018-010-000
	Rotor Twin Blade - #W88 Alloy - Model 018 - 024 U1 + .040		-----	W018-010-000-040
	Rotor Twin Blade - #W88 Alloy - Model 018 - 024 U1 + .080		-----	W018-010-000-080
Item	Description	Quantity Per Pump	Reference Part No.	ZMT Part No.
42	Jam Nut	4	AD0052001	WAD0-052-001
43	Cover O-Ring - Buna	1	N70252	WN70252
	Cover O-Ring - Silicone		S75252	WS75252
	Cover O-Ring - Viton®		V70252	WV70252
	Cover O-Ring - EPDM		E70252	WE70252
44	Pump Cover	1	AD0002S00	WAD0-002-S00
	Pump Cover - Jacketed		AD0002J10	WAD0-002-J10
45	Wing Nut	8	105850	W105850
	Hex Nut		108369	W108369
46	Large Cleanout Plug	4	--	W41013
47	Drive Shaft Key, 3/16 X 3/16 X 1 1/8	1	000037001	W000-037-001

***Replacement Waukesha® pump parts manufactured before July 2001, order the following parts.**

Item	Description	Quantity Per Pump	Reference Part No.	ZMT Part No.
10	Gear Case, CI	1	020005000	W020-005-000
20	Spacer Bearing	2	015055001	W015-055-001
21	006 - 024 Shim Kit	2	117889	W117889
22	Front Bearing	2	015036000	W015-036-000
23	Drive Shaft (316L SS) Model 006, 015 U1 (pre 07/2001)	1	015008000	W015-008-000
24	Idle Shaft (316L SS) Model 006, 015 U1 (pre 07/2001)	1	015009000	W015-009-000
26	Bearing Retainer Front	2	015080000	W015-080-000
27	Grease Seal Front Brg Ret	2	000030018	W000-030-018

***Replacement parts for Waukesha® pumps manufactured after July 2001 but before 07/12/04, order the following parts.**

Item	Description	Quantity Per Pump	Reference Part No.	ZMT Part No.
26	Bearing Retainer Front	2	101810	W101810
27	Grease Seal Front Brg Ret	2	101716	W101716
33	Flange O-Ring - Buna (Model 024)*	1	N70245	WN70245
	Flange O-Ring - Viton® (Model 024)*		V70245	WV70245

Waukesha® - Registered Trademark of SPX Process Equipment

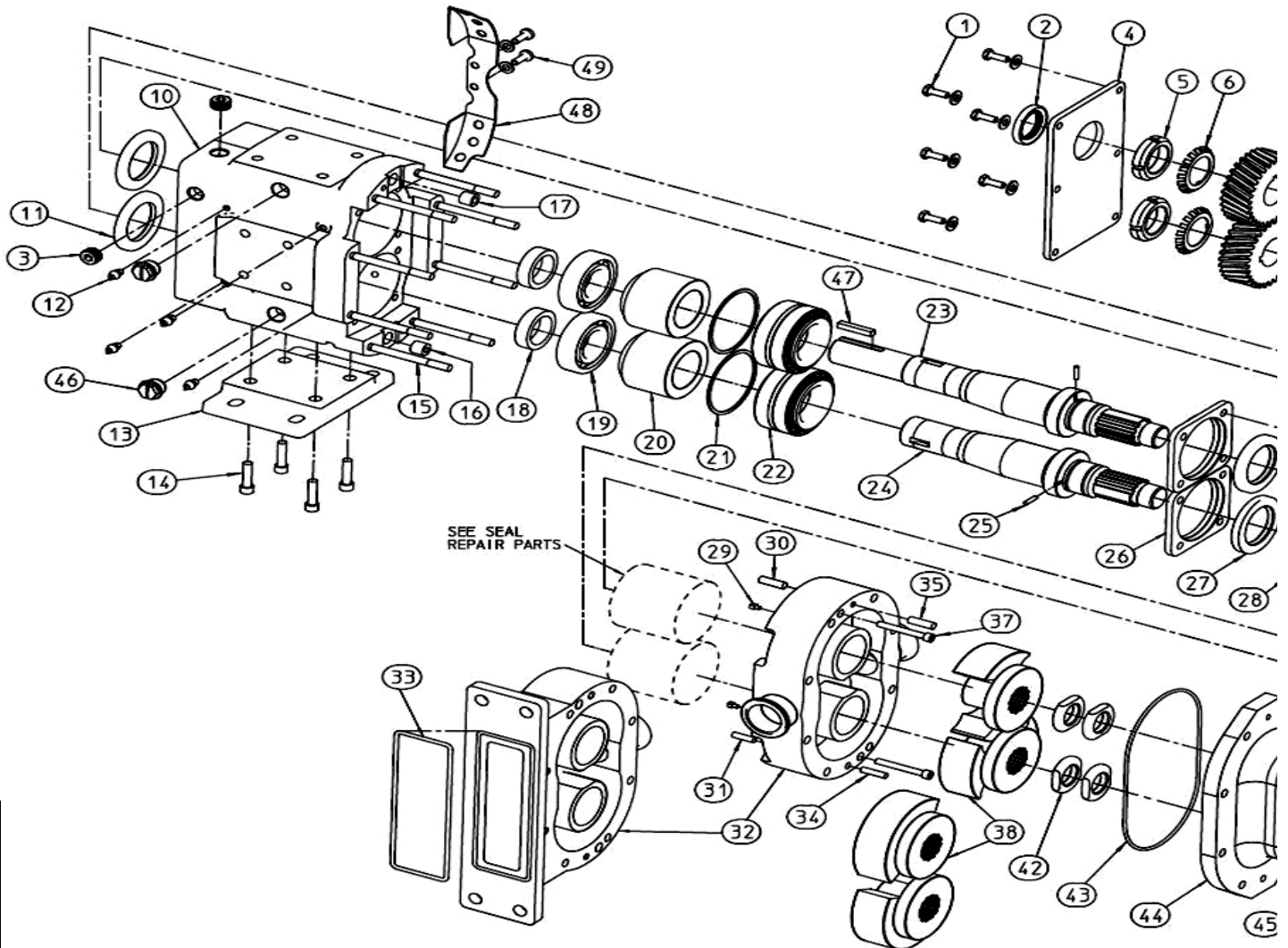
Viton® - Registered Trademark of DuPont Performance Elastomers.

ZM Technologies, Inc. grants license to its authorized distributors to copy, modify and distribute these repair parts sheets to their customers as necessary to meet business needs.



[Back to Index](#)

PARTS LIST - U1 - 030, 034



3	Oil Plug 030-523, Gearbox	6	000046004	W000-046-004
4	Gear Case Cover, Steel (includes installed seal)	1	040106000	W040-106-000
	Gear Case Cover, SS (includes installed seal)		102281	W102281
5	Lock Nut - Gear	2	CD0036N00	WCD0-036-N00
6	Lock Washer - Gear	2	CD0036W00	WCD0-036-W00
7	Gear Drive Shaft	1	030007001	W030-007-001
8	Gear Short Shaft	1	030007002	W030-007-002
9	Key, Gear	2	015037000	W015-037-000
10*	Gear Case, CI	1	102276	W102276



[Back to Index](#)

PARTS LIST - U1 - 030, 034

	Gear Case, SS		101833	W101833
11	Oil Seal Rear	2	000030017	W000-030-017
12	Grease Fitting 1/8	8	BD0092000	WBD0-092-000
13	Mounting Shim (Gear Case Base), CI	1	040110000	W040-110-000
	Mounting Shim (Gear Case Base), SS		102285	W102285
14	SH Capscrew, G8Z, Mount/Base, Model 030-034	4	30-344	FSHCS37516-100-G8Z
Item	Description	Quantity Per Pump	Reference Part No.	ZMT Pump Part No.
15	Stud	8	108842	W108842
	Stud Jacketed Cover		108845	W108845
	Stud	6	108842	W108842
	Stud, Short, U1-034	2	35555	W35555
	Stud Jacketed Cover	6	108845	W108845
	Stud, Short, Jacketed Cover, U1-034	2	35549	W35549
16	Dowel Pin, Lower Cover Side	1	BD0040100	WBD0-040-100
17	Dowel Pin, Upper Cover Side	1	BD0040000	WBD0-040-000
18	Spacer Gear to Rear Bearing	2	030055000	W030-055-000
19	Rear Bearing	2	030035000	W030-035-000
20*	Spacer Bearing	2	101815	W101815
21	030 - 034 Shim Kit	2	-----	W117890
22*	Front Bearing	2	030036000	W030-036-000
23*	Drive Shaft (17-4PH) Model 030, 034 U1 (post 07/2001)	1	114779	W114779
24*	Idle Shaft (17-4PH) Model 030, 034 U1 (post 07/2001)	1	114780	W114780
25	Drive Pin	2	CD0126000	WCD0-126-000
26*	Bearing Retainer Front	2	120333	W120333
27*	Grease Seal Front Brg Ret	2	121680	W121680
28	BH Capscrew, SS, Brg Ret, Model 030-034	8	30-29	FBHCS31318-075-SS
29	Stop Pin Seal	2	030126000	W030-126-000
30	Dowel Pin, Upper Gear Case Side	1	BD0040200	WBD0-040-200
31	Dowel Pin, Lower Gear Case Side	1	BD0040300	WBD0-040-300
32	Rotor Twin Blade - #W88 Alloy - Model 030 U1	1	030010000	W030-010-000
	Rotor Twin Blade - #W88 Alloy - Model 030 U1 + .040		-----	W030-010-000-040
	Rotor Twin Blade - #W88 Alloy - Model 030 U1 + .080		-----	W030-010-000-080
	Single Blade Rotor - #W88 Alloy - 90° - 030 U1		117291	W117291
33	Rectangular Flange O-Ring - Buna	1	N70357	WN70357
34	Dowel Pin, Upper Cover Side	1	BD0040000	WBD0-040-000
35	Dowel Pin, Lower Cover Side	1	BD0040100	WBD0-040-100
37	SH Capscrew, SS, Body Retaining, Model 018--030	2	30-211	FSHCS25020-200-SS
38	Rotor Twin Blade - #W88 Alloy - Model 030 U1	2	030010000	W030-010-000
	Single Blade Rotor - #W88 Alloy - 90° - 030 U1	1	117291	W117291



[Back to Index](#)

PARTS LIST - U1 - 030, 034

42	Jam Nut	4	BD0052001	WBD0-052-001
43	Cover O-Ring - Buna	1	N70261	WN70261
	Cover O-Ring - EPDM		E70261	WE70261
	Cover O-Ring - Viton®		V70261	WV70261
	Cover O-Ring - Silicone		S75261	WS75261
44	Pump Cover	1	BD0002S00	WBD0-002-S00
	Pump Cover - Jacketed		BD0002J10	WBD0-002-J10
45	Wing Nut	8	105851	W105851
	Hex Nut		108370	W108370
46	Large Cleanout Plug	4	--	W41013
47	Drive Shaft Key, 1/4 X 1/4 X 1 3/4	1	000037002	W000-037-002

***Replacement parts for Waukesha® pumps manufactured before July 2001, order the following parts.**

Item	Description	Quantity Per Pump	Reference Part No.	ZMT Part No.
10	Gear Case, CI	1	040005000	W040-005-000
20	Spacer Bearing	2	030055001	W030-055-001
22	Front Bearing	2	030036000	W030-036-000
23	Drive Shaft (17-4PH) Model 030, 034 U1 (pre 07/2001)	1	35341 / 030008000	W030-008-000
24	Idle Shaft (17-4PH) Model 030, 034 U1 (pre 07/2001)	1	35342 / 030009000	W030-009-000
26	Bearing Retainer Front	2	030080000	W030-080-000
27	Grease Seal Front Brg Ret	2	000030015	W000-030-015

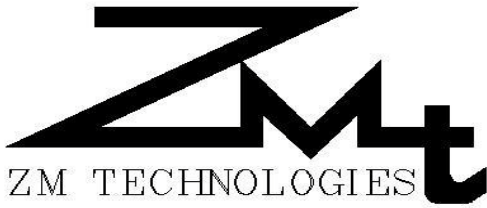
***Replacement parts for Waukesha® pumps manufactured after July 2001 but before 07/12/04, order the following parts.**

Item	Description	Quantity Per Pump	Reference Part No.	ZMT Part No.
26	Bearing Retainer Front	2	101811	W101811
27	Grease Seal Front Brg Ret	2	101717	W101717

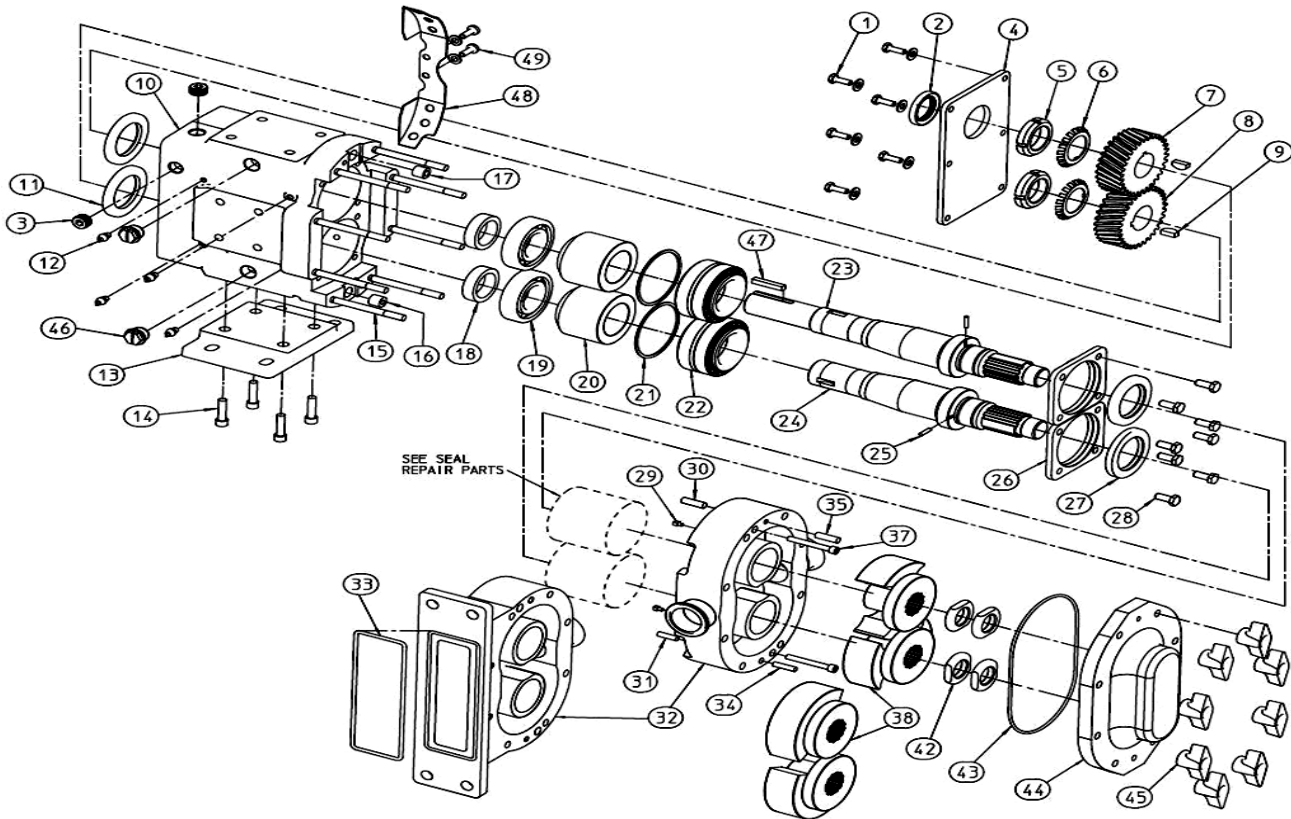
Waukesha® - Registered Trademark of SPX Process Equipment

Viton® - Registered Trademark of DuPont Performance Elastomers.

ZM Technologies, Inc. grants license to its authorized distributors to copy, modify and distribute these repair parts sheets to their customers as necessary to meet business needs.



PARTS LIST - U1 - 060, 064, 130, 134



Item	Description	Quantity Per Pump	Reference Part No.	ZMT Part No.
1	HH Capscrew, G5Z, GBX Cover, Model 060--324	6	30-314	FHCS37516-075-G5Z
1a	Washer, GBX Cover Capscrew, Model 060--324	6	43-189	FFW375C
2	Oil Seal - Gear Case Cover	1	000030012	W000-030-012
3	Oil Plug 030-523, Gearbox	6	000046004	W000-046-004
4	Gear Case Cover, Steel (includes installed seal)	1	070106000	W070-106-000
	Gear Case Cover, SS (includes installed seal)		102282	W102282
5	Lock Nut - Gear	2	STD236009	WSTD-236-009
6	Lock Washer - Gear	2	STD136009	WSTD-136-009
7	Gear Drive Shaft	1	060007001	W060-007-001
8	Gear Short Shaft	1	060007002	W060-007-002
9	Key, Gear	2	060037000	W060-037-000
10	Gear Case, CI	1	070005000	W070-005-000
	Gear Case, SS		101834	W101834
11	Oil Seal Rear	2	000030011	W000-030-011



[Back to Index](#)

PARTS LIST - U1 - 060, 064, 130, 134

12	Grease Fitting 1/8	8	BD0092000	WBD0-092-000
13	Mounting Shim (Gear Case Base), CI	1	070110000	W070-110-000
	Mounting Shim (Gear Case Base), SS		102286	W102286
14	SH Capscrew, SS, Body Retaining, Model 018--030	4	30-211	FSHCS25020-200-SS
15	Stud	8	108843	W108843
	Stud	6	108843	W108843
	Stud, Short, U1-064	2	0C1050000	W0C1-050-000
	Stud Jacketed Cover	8	108846	W108846
	Stud Jacketed Cover	6	108846	W108846
	Stud, Short, Jacketed, U1-064	2	35556	W35556
	Stud	8	130011000	W130-011-000
	Stud	6	130011000	W130-011-000
	Stud, Short, U1-064	2	0C1050000	W0C1-050-000
	Stud Jacketed Cover	8	130011001	W130-011-001
	Stud Jacketed Cover	6	130011001	W130-011-001
	Stud, Short, Jacketed, U1-064	2	35556	W35556
16	Dowel Bushing, Lower	1	CD0116100	WCD0-116-100
17	Dowel Bushing, Upper	1	CD0116000	WCD0-116-000
21	045 - 134 Shim Kit	2	117891	W117891
18	Spacer Gear to Rear Bearing	2	107187	W107187
19	Rear Bearing	2	107186	W107186
20	Spacer Bearing	2	060055003	W060-055-003
22	Front Bearing	2	060036000	W060-036-000
23	Drive Shaft (17-4PH) Model 060, 064 U1	1	35145 / 060008001	W060-008-001
	Drive Shaft (17-4PH) Model 130, 134 U1		35394 / 130008001	W130-008-001
24	Idle Shaft (17-4PH) Model 060, 064 U1	1	35146 / 060009001	W060-009-001
	Idle Shaft (17-4PH) Model 130, 134 U1		35392 / 130009001	W130-009-001
25	Drive Pin	2	CD0126000	WCD0-126-000
26*	Bearing Retainer Front	2	121828	W121828
27	Grease Seal Front Brg Ret	2	000030009	W000-030-009
28	BH Capscrew, SS, Brg Ret, Model 060--324	8	30-60	FBHCS37516-125-SS
29	Stop Pin Seal	2	223126000	W223-126-000
30	Dowel Pin, Upper Gear Case Side	1	CD0040R00	WCD0-040-R00
31	Dowel Pin, Lower Gear Case Side	1	CD0040R10	WCD0-040-R10
32	Pump Body - 060 U1	1	--	W060-001-010
	Pump Body - 064 U1		--	W064-001-010
	Pump Body - 130 U1		--	W130-001-010
	Pump Body - 134 U1		--	W134-001-010
33	Rectangular Flange O-Ring - Buna (Model 064)	1	N70366	WN70366
	Rectangular Flange O-Ring - Buna (Model 134)		N70369	WN70369



[Back to Index](#)

PARTS LIST - U1 - 060, 064, 130, 134

Item	Description	Quantity Per Pump	Reference Part No.	ZMT Part No.
35	Dowel Pin, Upper Cover Side	1	CD0040000	WCD0-040-000
34	Dowel Pin, Lower Cover Side	1	CD0040100	WCD0-040-100
37	SH Capscrew, SS, Body Retaining, Model 060-064	2	30-319	FSHCS31318-325-SS
	SH Capscrew, SS, Body Retaining, Model 130-134		30-423	FSHCS31318-400-SS
38	Rotor Twin Blade - #W88 Alloy - Model 060 U1	2	060010000	W060-010-000
	Rotor Twin Blade - #W88 Alloy - Model 060 U1 + .040		-----	W060-010-000-040
	Rotor Twin Blade - #W88 Alloy - Model 060 U1 + .080		-----	W060-010-000-080
	Rotor Twin Blade - #W88 Alloy - Model 130 U1		130010000	W130-010-000
	Rotor Twin Blade - #W88 Alloy - Model 130 U1 + .040		-----	W130-010-000-040
	Rotor Twin Blade - #W88 Alloy - Model 130 U1 + .080		-----	W130-010-000-080
	Single Blade Rotor - #W88 Alloy - 90° - 060 U1		117343	W117343
	Single Blade Rotor - #W88 Alloy - 90° - 130 U1		117360	W117360
42	Jam Nut	4	060052001	W060-052-001
43	Cover O-Ring - Buna	1	N70272	WN70272
	Cover O-Ring - Silicone		S75272	WS75272
	Cover O-Ring - Viton®		V70272	WV70272
	Cover O-Ring - EPDM		E70272	WE70272
44	Pump Cover	1	CD0002S00	WCD0-002-S00
	Pump Cover - Jacketed		CD0002J10	WCD0-002-J10
45	Wing Nut	8	105852	W105852
	Hex Nut		108371	W108371
46	Large Cleanout Plug	4	--	W41013
47	Drive Shaft Key, 3/8 X 3/8 X 1 5/8	1	000037003	W000-037-003

***When purchasing replacement parts for Waukesha® pumps manufactured before 07/12/04, order the following parts.**

Item	Description	Quantity Per Pump	Reference Part No.	ZMT Part No.
26	Bearing Retainer Front	2	101812	W101812

Waukesha® - Registered Trademark of SPX Process Equipment

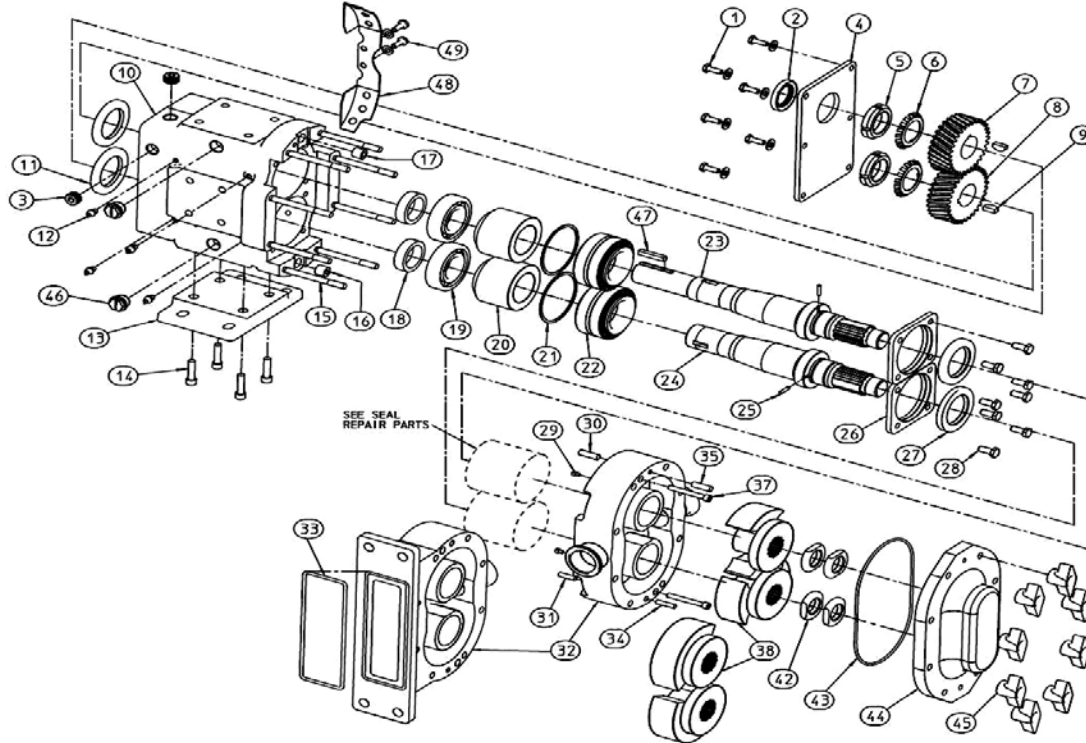
Viton® - Registered Trademark of DuPont Performance Elastomers.

ZM Technologies, Inc. grants license to its authorized distributors to copy, modify and distribute these repair parts sheets to their customers as necessary to meet business needs.

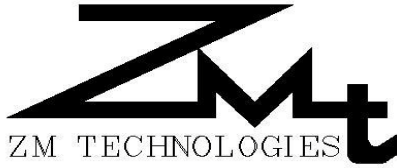


[Back to Index](#)

PARTS LIST - U1 -220, 224



Item	Description	Quantity Per Pump	Reference Part No.	ZMT Part No.
1	HH Capscrew, G5Z, GBX Cover, Model 060--324	6	30-314	FHCS37516-075-G5Z
1a	Washer, GBX Cover Capscrew, Model 060--324	6	43-189	FFW375C
2	Oil Seal - Gear Case Cover	1	STD030006	WSTD-030-006
3	Oil Plug 030-523, Gearbox	6	000046004	W000-046-004
4	Gear Case Cover, Steel (includes installed seal)	1	230106000	W230-106-000
5	Lock Nut - Gear	2	STD236011	WSTD-236-011
6	Lock Washer - Gear	2	STD136011	WSTD-136-011
7	Gear Drive Shaft	1	200007001	W200-007-001
8	Gear Short Shaft	1	200007002	W200-007-002
9	Key, Gear	2	200037000	W200-037-000
10	Gear Case, CI	1	230005000	W230-005-000
11	Oil Seal Rear	2	STD119002	WSTD-119-002
12	Grease Fitting 1/8	8	BD0092000	WBD0-092-000
13	Mounting Shim (Gear Case Base), CI	1	230110000	W230-110-000
14	SH Capscrew, G8Z, Mount/Base, Model 220-224	4	30-111	FSHCS50013-200-G8Z
15	Stud	8	108844	W108844
Item	Description	Quantity Per Pump	Reference Part No.	ZMT Part No.
15	Stud	8	108844	W108844
	Stud	6	108844	W108844
	Stud, Short, U1-224	2	35550	W35550
16	Dowel Bushing, Lower	1	CD0116100	WCD0-116-100
17	Dowel Bushing, Upper	1	CD0116000	WCD0-116-000



[Back to Index](#)

PARTS LIST - U1 -220, 224

18	Spacer Gear to Rear Bearing	2	40878	W40878
19	Rear Bearing	2	200035000	W200-035-000
20	Spacer Bearing	2	40752	W40752
21	180 - 224 Shim Kit	2	117892	W117892
22	Front Bearing	2	200036000	W200-036-000
23	Drive Shaft (17-4PH) Model 220, 224 U1	1	35349 / 220008001	W220-008-001
24	Idle Shaft (17-4PH) Model 220, 224 U1	1	35350 / 220009001	W220-009-001
25	Drive Pin	2	CD0126000	WCD0-126-000
26*	Bearing Retainer Front	2	121829	W121829
27	Grease Seal Front Brg Ret	2	121681	W121681
28	BH Capscrew, SS, Brg Ret, Model 060--324	8	30-60	FBHCS37516-125-SS
29	Stop Pin Seal	2	223126000	W223-126-000
30	Dowel Pin, Upper Gear Case Side	1	CD0040R00	WCD0-040-R00
31	Dowel Pin, Lower Gear Case Side	1	CD0040R10	WCD0-040-R10
32	Pump Body - 220 U1	1	--	W220-001-010
	Pump Body - 224 U1		--	W224-001-010
33	Rectangular Flange O-Ring - Buna	1	N70376	WN70376
35	Dowel Pin, Upper Cover Side	1	GD0040000	WGD0-040-000
34	Dowel Pin, Upper Cover Side	1	GD0040000	WGD0-040-000
37	SH Capscrew, SS, Body Retaining, Model 220/380	2	30-499	FSHCS37516-450-SS
38	Rotor Twin Blade - #W88 Alloy - Model 220 U1	2	220010000	W220-010-000
	Rotor Twin Blade - #W88 Alloy - Model 220 U1 + .040		-----	W220-010-000-040
	Rotor Twin Blade - #W88 Alloy - Model 220 U1 + .080		-----	W220-010-000-080
	Single Blade Rotor - #W88 Alloy - 90° - 220 U1		117391	W117391
42	Jam Nut	4	GD0052001	WGD0-052-001
43	Cover O-Ring - Silicone	1	GD0117SC0	WGD0-117-SC0
	Cover O-Ring - Buna		GD0117000	WGD0-117-000
	Cover O-Ring - Viton®		GD0117V00	WGD0-117-V00
	Cover O-Ring - EPDM		GD0117002	WGD0-117-002
44	Pump Cover	1	GD0002S00	WGD0-002-S00
45	Wing Nut	8	105853	W105853
	Hex Nut		108372	W108372
46	Large Cleanout Plug	4	--	W41013
47	Drive Shaft Key, 1/2 X 1/2 X 1 7/8	1	000037004	W000-037-004

***When purchasing replacement parts for Waukesha® pumps manufactured before 07/12/04, order the following parts.**

Item	Description	Quantity Per Pump	Reference Part No.	ZMT Part No.
26	Bearing Retainer Front	2	101813	W101813

Waukesha® - Registered Trademark of SPX Process Equipment

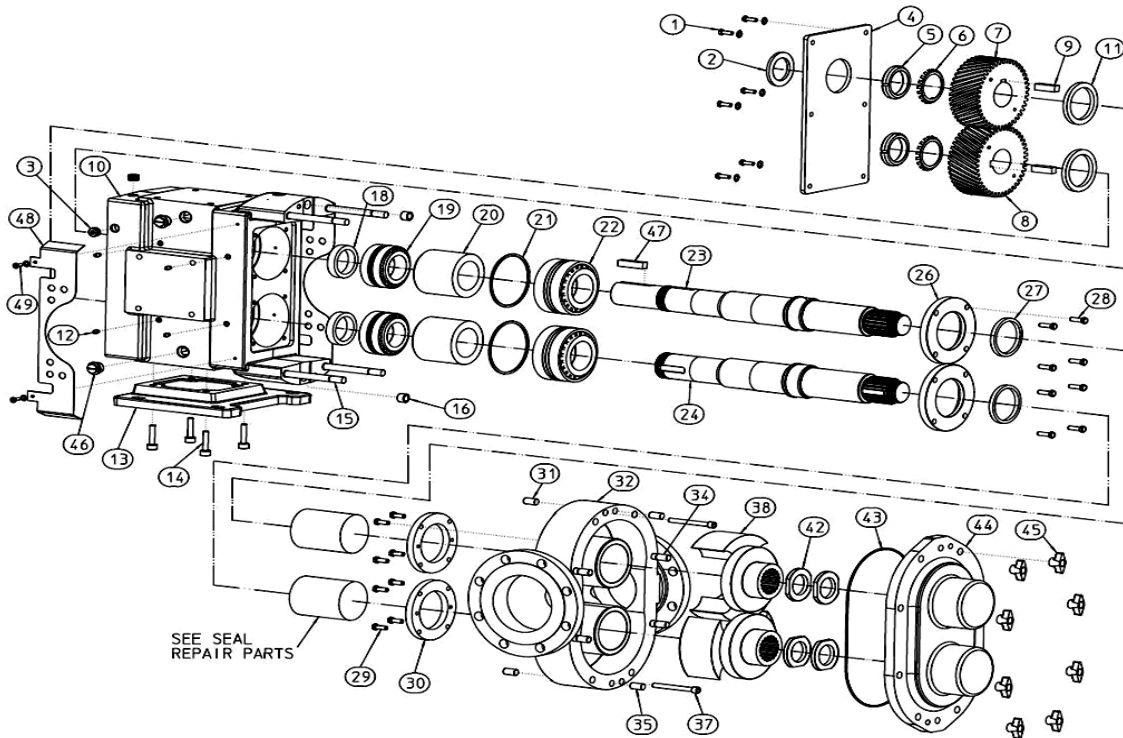
Viton® - Registered Trademark of DuPont Performance Elastomers.

ZM Technologies, Inc. grants license to its authorized distributors to copy, modify and distribute these repair parts sheets to their customers as necessary to meet business needs.



[Back to Index](#)

PARTS LIST - U1-320, 323, 324



1	HH Capscrew, G5Z, GBX Cover, Model 060--324	6	30-314	FHCS37516-075-G5Z
1a	Washer, GBX Cover Capscrew, Model 060--324	6	43-189	FFW375C
2*	Oil Seal - Gear Case Cover	1	STD030006	WSTD-030-006
3	Oil Plug 030-523, Gearbox	46	000046004	W000-046-004
4	Gear Case Cover, Steel (includes installed seal)	1	40669	W40669
5	Lock Nut - Gear	2	105697	W105697
6	Lock Washer - Gear	2	STD136005	WSTD-136-005
7	Gear Drive Shaft	1	102470	W102470
8	Gear Drive Shaft	1	102470	W102470
9	Key, Gear	2	0H1037000	WOH1-037-000
10	Gear Case, CI	1	40616	W40616
11*	Oil Seal Rear	2	102475	W102475
12	Grease Fitting 1/8	8	BD0092000	WBD0-092-000
13	Mounting Shim (Gear Case Base), CI	1	40288	W40288
14	SH Capscrew, G8Z, Mount/Base, Model 320-323	4	30-250	FSHCS50013-175-G8Z
15	Stud, Cover, Long	4	111291	W111291
16	Dowel Bushing, Gearcase	2	0H1116000	WOH1-116-000
18	Spacer Gear to Rear Bearing	2	102474	W102474
19	Rear Bearing	2	0H1036000	WOH1-036-000
Item	Description	Quantity Per Pump	Reference Part No.	ZMT Part No.
20	320 front Bearing Spacer	2	102472	W102472
21	210 - 324 Shim Kit	2	117893	W117893



[Back to Index](#)

PARTS LIST - U1-320, 323, 324

22	Front Bearing	2	0H1036003	W0H1-036-003
23	Drive Shaft (17-4PH) Model 320, 323, 324 U1	1	113520 / 320008001	W320-008-001
24	Idle Shaft (17-4PH) Model 320, 323, 324 U1	1	113521 / 320009001	W320-009-001
26*	Bearing Retainer Front	2	123533	W123533
27	Grease Seal Front Brg Ret	2	121681	W121681
28	BH Capscrew, SS, Brg Ret, Model 060--324	8	30-60	FBHCS37516-125-SS
29	HH Capscrew, SS, Gland, Model 320-324	8	30-60	FHCS37516-125-SS
29a	Lock Washer, Gland, Model 320-324	8	43-28	FLW-375-SS
30	Seal Gland, No Flush	2	300034003	W300-034-003
	Seal Gland, W/Flush Holes		300034001	W300-034-001
31	Dowel Pin, Gear Case Side	2	--	W320-004-R00
32	Pump Body - 320 U1	1	--	W320-001-010
34	Stud, Cover, Short	4	111292	W111292
35	Dowel Pin, Cover Side	2	--	W320-004-000
37	SH Capscrew, SS, Body Retaining, Model 180/320/323	2	30-323	FSHCS37516-400-SS
38	Rotor Twin Blade - #W88 Alloy - Model 320 U1, 323+ ZD-Evo	2	320010000	W320-010-000
	Rotor Twin Blade - #W88 Alloy - Model 320 U1 + .040		-----	W320-010-000-040
	Rotor Twin Blade - #W88 Alloy - Model 320 U1 + .080		-----	W320-010-000-080
	Rotor Twin Blade - #W88 Alloy - Model 323 U1		323010000	W323-010-000
	Rotor Twin Blade - #W88 Alloy - Model 323 U1 + .040		-----	W323-010-000-040
	Rotor Twin Blade - #W88 Alloy - Model 323 U1 + .080		-----	W323-010-000-080
42	Pump Cover	4	0H1002002	W0H1-002-002
43	Cover O-Ring - Buna	1	N70280	WN70280
	Cover Gasket O-Ring - Silicone		323117013	W323-117-013
	Cover O-Ring - Viton®		V70280	WV70280
	Cover O-Ring - EPDM		E70280	WE70280
44	Pump Cover	1	0H1002002	W0H1-002-002
45	Wing Nut	8	110858	W110858
	Hex Nut (optional)		108373	W108373
46	Large Cleanout Plug	4	--	W35824
47	Drive Shaft Key, 5/8 X 5/8 X 2 3/4	1	000037005	W000-037-005

***When purchasing replacement parts for Waukesha® pumps manufactured before July 2001, order the following parts.**

Item	Description	Quantity Per Pump	Reference Part No.	ZMT Part No.
2	Oil Seal, Gear Case Rear	2	STD119000	WSTD-119-000

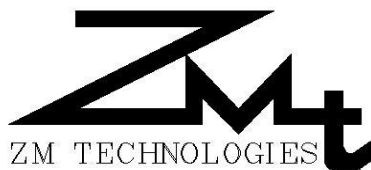
***When purchasing replacement parts for Waukesha® pumps, order the following parts.**

Item	Description	Quantity Per Pump	Reference Part No.	ZMT Part No.
2	Oil Seal - Gear Case Cover	2	STD030004	WSTD-030-004

Waukesha® - Registered Trademark of SPX Process Equipment

Viton® - Registered Trademark of DuPont Performance Elastomers.

ZM Technologies, Inc. grants license to its authorized distributors to copy, modify and distribute these repair parts sheets to their customers as necessary to meet business needs.

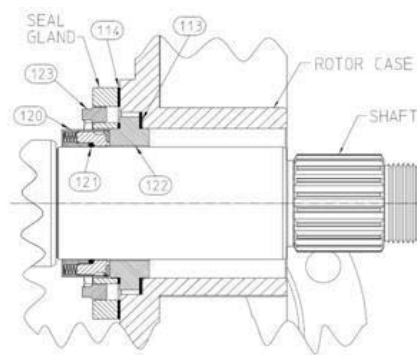


[Back to Index](#)

Sealing Parts List - U1-320

Single Mechanical Seal (Outer):

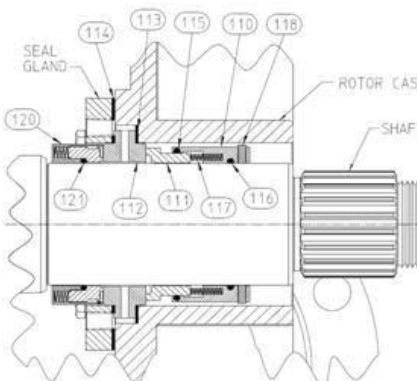
Item	Description	Quantity Per Pump	Reference Part No.	ZMT Part No.
113	Gasket, Inner	2	300042001	W300-042-001
114	Gasket, Outer W/Flush Holes	2	300042002	W300-042-002
120	8B2 Outer Seal, Carbon	2	323114003	W323-00-0050
	8B2 Outer Seal, Silicone Carbide		--	W323-00-0020
	8B2 Outer Seal, Chrome Oxide		323000060	W323-00-0060
121	Inner Seal O-Ring - Buna	2	N70234	WN70234
	Inner Seal O-Ring - EPDM		E70234	WE70234
	Inner Seal O-Ring - Viton®		V70234	WV70234
	Inner Seal O-Ring - Silicone		S75234	WS75234
122	"T" Seat, No Flush, Silicon Carbide	2	300014016	W320-52X-0200
123	Seal Gland, W/Flush Holes	4	300034001	W300-034-001
--	320 - 324 ZMT Engineered Cartridge Single Seal	2	--	W320Z-00-2200E



320U1 Outer Single Seal

Double Mechanical Seal:

Item	Description	Quantity Per Pump	Reference Part No.	ZMT Part No.
110	Inner Seal, Silicon Carbide	2	40572	W323-00-2000
	Inner Seal, Chrome Oxide		40574	W40574
112	"T" Seat, With Flush, Silicon Carbide	2	300014031	W323-52-0200
	"T" Seat, With Flush, Chrome Oxide		300014029	W300-014-029
	"T" Seat, With Flush, Ceramic		300014027	W323-52-0700
113	Gasket, Inner	2	300042001	W300-042-001
114	Gasket, Outer W/Flush Holes	2	300042002	W300-042-002
116	Inner Seal O-Ring - Buna	2	N70234	WN70234
	Inner Seal O-Ring - EPDM		E70234	WE70234
	Inner Seal O-Ring - Viton®		V70234	WV70234
	Inner Seal O-Ring - Silicone		S75234	WS75234
120	8B2 Outer Seal, Carbon	2	323114003	W323-00-0050
	8B2 Outer Seal, Silicone Carbide		--	W323-00-0020
	8B2 Outer Seal, Chrome Oxide		323000060	W323-00-0060
121	Inner Seal O-Ring - Buna	2	N70234	WN70234
	Inner Seal O-Ring - EPDM		E70234	WE70234
	Inner Seal O-Ring - Viton®		V70234	WV70234
	Inner Seal O-Ring - Silicone		S75234	WS75234



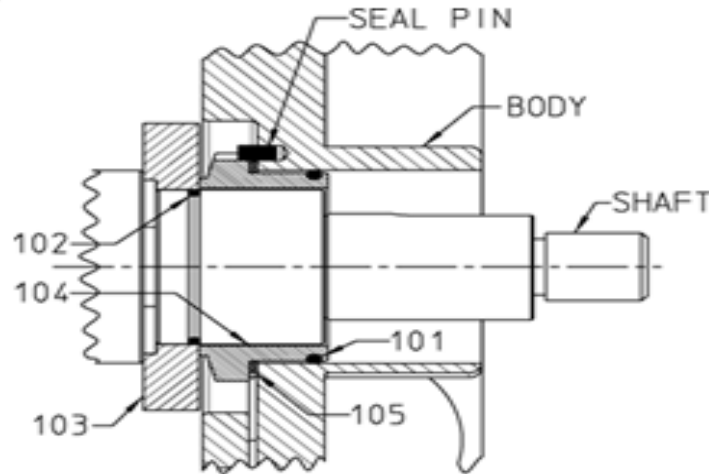
320U1 Double Seal

Viton® - Registered Trademark of DuPont Performance Elastomers.

ZM Technologies, Inc. grants license to its authorized distributors to copy, modify and distribute these repair parts sheets to their customers as necessary to meet business needs.



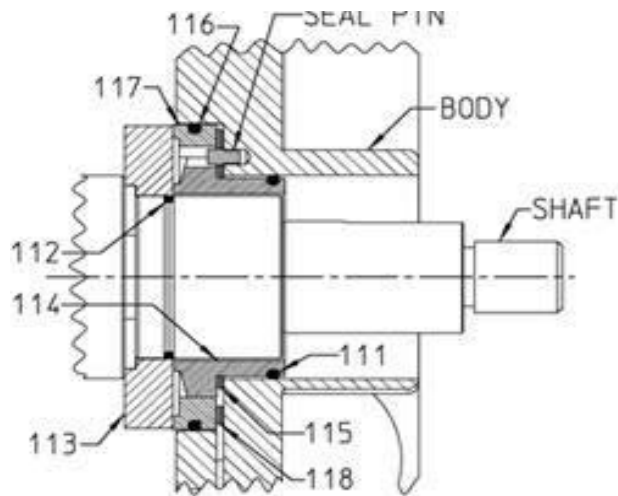
[Back to Index](#)



U2 Single Seal

Single Mechanical Seal:

Item	Description	Quantity Per Pump	U2-006, 015, 018 ZMT Part No.	U2-030, 034 ZMT Part No.	U2-045, 060, 064, 130, 134 ZMT Part No.	U2-180, 220, 224 ZMT Part No.
101	Inner Seal O-Ring - Buna	2	WN70028	WN70031	WN70035	WN70041
	Inner Seal O-Ring - EPDM		WE70028	WE70031	WE70035	WE70041
	Inner Seal O-Ring - Viton®		WV70028	WV70031	WV70035	WV70041
102	Seal Seat O-Ring - Buna	2	WN70024	WN70029	WN70133	WN70145
	Seal Seat O-Ring - EPDM		WE70024	WE70029	WE70133	WE70145
	Seal Seat O-Ring - Viton®		WV70024	WV70029	WV70133	WV70145
103	Seal Seat, Silicon Carbide	2	W006U2-00-2000	W030U2-00-2000	W130U2-00-2000	W220U2-00-2000
	Seal Seat, Silicon Carbide - 2 piece		W006U2Z-00-2000	W030U2Z-00-2000	W130U2Z-00-2000	W220U2Z-00-2000
	Seal Seat, Ceramic		W006U2-00-7000	W030U2-00-7000	W130U2-00-7000	W220U2-00-7000
104	Inner Seal, Silicon Carbide	2	W006U2-00-0200	W030U2-00-0200	W130U2-00-0200	W220U2-00-0200
	Inner Seal, Silicon Carbide - 2 piece		W006U2Z-00-0200	W030U2Z-00-0200	W130U2Z-00-0200	W220U2Z-00-0200
	Inner Seal, Ceramic		W006U2-00-0700	W030U2-00-0700	W130U2-00-0700	W220U2-00-0700
	Inner Seal, Carbon		W006U2-00-0500	W030U2-00-0500	W130U2-00-0500	W220U2-00-0500
105	Inner Wave Spring	2	W101683	W101685	W101687	W101689
--	006 - 024 ZMT Engineered Complete Single Seal	2	W006U2Z-00-2200E	W030U2Z-00-2200E	W130U2Z-00-2200E	W220U2Z-00-2200E



U2 Double Seal

Double Mechanical Seal:

Item	Description	Quantity Per Pump	U2-006, 015, 018 ZMT Part No.	U2-030, 034 ZMT Part No.	U2-045, 060, 064, 130, 134 ZMT Part No.	U2-180, 220, 224 ZMT Part No.
111	Inner Seal O-Ring - Buna	2	WN70028	WN70031	WN70035	WN70041
	Inner Seal O-Ring - EPDM		WE70028	WE70031	WE70035	WE70041
	Inner Seal O-Ring - Viton®		WV70028	WV70031	WV70035	WV70041
112	Seal Seat O-Ring - Buna	2	WN70024	WN70029	WN70133	WN70145
	Seal Seat O-Ring - EPDM		WE70024	WE70029	WE70133	WE70145
	Seal Seat O-Ring - Viton®		WV70024	WV70029	WV70133	WV70145
113	Seal Seat, Silicon Carbide	2	W006U2-00-2000	W030U2-00-2000	W130U2-00-2000	W220U2-00-2000
	Seal Seat, Silicon Carbide - 2 piece		---	W030U2Z-00-2000	W130U2Z-00-2000	W220U2Z-00-2000
	Seal Seat, Ceramic		W006U2-00-7000	W030U2-00-7000	W130U2-00-7000	W220U2-00-7000
114	Inner Seal, Silicon Carbide	2	W006U2-00-0200	W030U2-00-0200	W130U2-00-0200	W220U2-00-0200
	Inner Seal, Silicon Carbide - 2 piece		---	W030U2Z-00-0200	W130U2Z-00-0200	W220U2Z-00-0200
	Inner Seal, Ceramic		W006U2-00-0700	W030U2-00-0700	W130U2-00-0700	W220U2-00-0700
	Inner Seal, Carbon		W006U2-00-0500	W030U2-00-0500	W130U2-00-0500	W220U2-00-0500
115	Inner Wave Spring	2	W101683	W101685	W101687	W101689
116	Inner Seal O-Ring - Buna	2	WN70035	WN70041	WN70043	WN70046
	Inner Seal O-Ring - EPDM		WE70035	WE70041	WE70043	WE70046
	Inner Seal O-Ring - Viton®		WV70035	WV70041	WV70043	WV70046
117	Outer Seal, Carbon	2	W006U2-00-0005	W101686	W130U2-00-0005	W220U2-00-0005
118	Outer Wave Spring	2	W101684	W030U2-00-0005	W101688	W101690

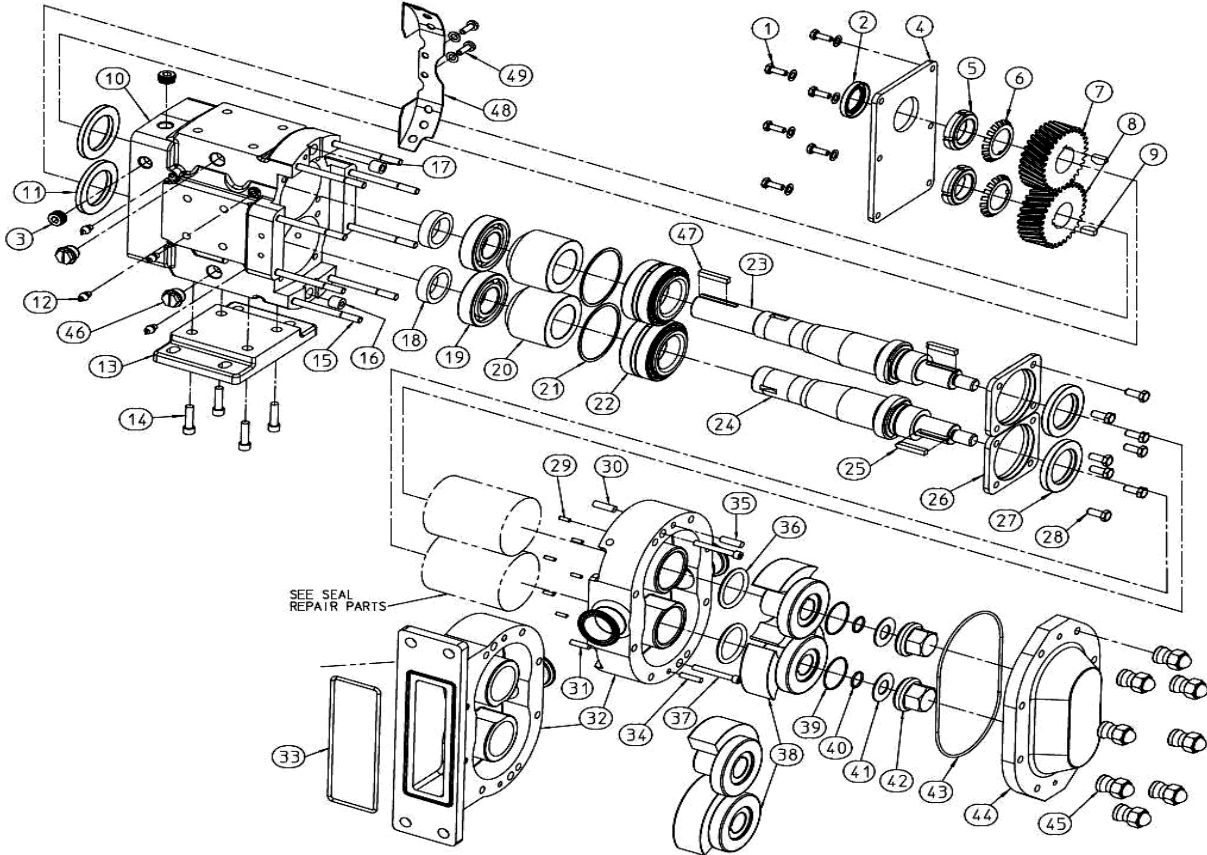
Viton® - Registered Trademark of DuPont Performance Elastomers.

ZM Technologies, Inc. grants license to its authorized distributors to copy, modify and distribute these repair parts sheets to their customers as necessary to meet business needs.



[Back to Index](#)

PARTS LIST - U2-006, 015, 018



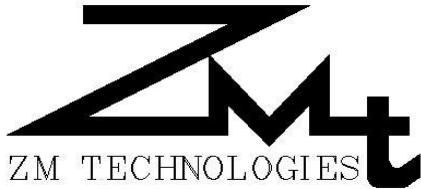
Item	Description	Quantity Per Pump	Reference Part No.	ZMT Part No.
1	HH Capscrew, G5Z, GBX Cover, Model 006--024	6	30-287	FHCS25020-075-G5Z
1b	Washer, GBX Cover Capscrew, Model 006--024	6	43-108	FFW250C
2	Oil Seal - Gear Case Cover	1	000030016	W000-030-016
3	Oil Plug 006-018, Gearbox	6	000046002	W000-046-002
4	Gear Case Cover, Steel (includes installed seal)	1	020106000	W020-106-000
	Gear Case Cover, SS (includes installed seal)		102280	W102280
5	Lock Nut - Gear	2	STD236005	WSTD-236-005
6	Lock Washer - Gear	2	STD136005	WSTD-136-005
7	Gear Drive Shaft	1	015007001	W015-007-001
8	Gear Short Shaft	1	015007002	W015-007-002
9	Key, Gear	2	015037000	W015-037-000
10	Gear Case, CI	1	102276	W102276
	Gear Case, SS		101831	W101831
11	Oil Seal Rear	2	000030017	W000-030-017
Item	Description	Quantity Per Pump	Reference Part No.	ZMT Part No.



[Back to Index](#)

PARTS LIST - U2-006, 015, 018

12	Grease Fitting 1/8	8	BD0092000	WBD0-092-000
13	Mounting Shim (Gear Case Base), CI	1	020110000	W020-110-000
	Mounting Shim (Gear Case Base), SS		102284	W102284
14	SH Capscrew, G8Z, Mount/Base, Model 006-024	4	30-343	FSHCS31318-100-G8Z
15	Stud	8	AD0011000	WAD0-011-000
	Stud Jacketed Cover		AD0011J00	WAD0-011-J00
	Stud	8	018011000	W018-011-000
	Stud Jacketed Cover		AD0011100	WAD0-011-100
	Stud	6	018011000	W018-011-000
	Short Stud, Std Cover - 024-U1	2	35547	W35547
	Stud Jacketed Cover	6	AD0011100	WAD0-011-100
	Stud, Jacketed Cover, U1-018	2	35548	W35548
16	Dowel Bushing, Lower	1	AD0116100	WAD0-116-100
17	Dowel Bushing, Upper	1	AD0116000	WAD0-116-000
18	Spacer Gear to Rear Bearing	2	015055000	W015-055-000
19	Rear Bearing	2	015035000	W015-035-000
20	Spacer Bearing	2	101814	W101814
21	006 - 024 Shim Kit	2	117889	W117889
22	Front Bearing	2	101714	W101714
23	Drive Shaft (316L SS) Model 006, 015 U2	1	108405	W108405
	Drive Shaft (316L SS) Model 018 U2		108407	W108407
24	Idle Shaft (316L SS) Model 006, 015 U2	1	108406	W108406
	Idle Shaft (316L SS) Model 018 U2		108408	W108408
25	Rotor Key	2	101817	W101817
	Rotor Key		101819	W101819
26*	Bearing Retainer Front	2	120332	W120332
27*	Grease Seal Front Brg Ret	2	121679	W121679
28	BH Capscrew, SS, Brg Ret, Model 006--024	8	30-58	FBHCS25020-075-SS
29	Stop Pin, Seal	6	101718	W101718
30	Dowel Pin, Upper Gear Case Side	1	AD0040R00	WAD0-040-R00
31	Dowel Pin, Lower Gear Case Side	1	AD0040R10	WAD0-040-R10
32	Pump Body - 006 U2	1	--	W006U2-001-010
	Pump Body - 015 U2		--	W015U2-001-010
	Pump Body - 018 U2		--	W018U2-001-010
	Pump Body - 024 U2		--	W024U2-001-010
33	Flange O-Ring - Buna (Model 024)*	1	N70245	WN70245
34	Dowel (lower cover)	1	AD0040100	WAD0-040-100
35	Dowel (upper cover)	1	AD0040000	WAD0-040-000
Item	Description	Quantity Per Pump	Reference Part No.	ZMT Part No.
36	Rotor Hub O-Ring - Buna	2	N70121	WN70121
	Rotor Hub O-Ring - EPDM		E70121	WE70121
	Rotor Hub O-Ring - Viton®		V70121	WV70121
37	SH Capscrew, SS, Body Retaining, Model 006--015	2	30-523	FSHCS25020-125-SS



[Back to Index](#)

PARTS LIST - U2-006, 015, 018

	SH Capscrew, SS, Body Retaining, Model 018--030		30-211	FSHCS25020-200-SS
38	Rotor Twin Blade - #W88 Alloy - Model 006 U2	2	101870	W006U2-010-000
	Rotor Twin Blade - #W88 Alloy - Model 006 U2 + .040		-----	W006U2-010-000-040
	Rotor Twin Blade - #W88 Alloy - Model 006 U2 + .080		-----	W006U2-010-000-080
	Rotor Twin Blade - #W88 Alloy - Model 015 U2		101882	W015U2-010-000
	Rotor Twin Blade - #W88 Alloy - Model 015 U2 + .040		-----	W015U2-010-000-040
	Rotor Twin Blade - #W88 Alloy - Model 015 U2 + .080		-----	W015U2-010-000-080
	Rotor Twin Blade - #W88 Alloy - Model 018 U2		101894	W018U2-010-000
	Rotor Twin Blade - #W88 Alloy - Model 018 U2 + .040		-----	W018U2-010-000-040
	Rotor Twin Blade - #W88 Alloy - Model 018 U2 + .080		-----	W018U2-010-000-080
39	Rotor Nut O-Ring - Buna	2	N70126	WN70126
	Rotor Nut O-Ring - EPDM		E70126	WE70126
	Rotor Nut O-Ring - Viton®		V70126	WV70126
40	Retainer O-Ring - Buna	2	N70112	WN70112
	Retainer O-Ring - EPDM		E70112	WE70112
	Retainer O-Ring - Viton®		V70112	WV70112
41	Washer, Belleville	2	101691	W101691
42	Rotor Nut	2	101804	W101804
43	Cover O-Ring - Buna	1	N70249	WN70249
	Cover O-Ring - EPDM		E70249	WE70249
	Cover O-Ring - Viton®		V70249	WV70249
44	Pump Cover	1	101842	W101842
	Pump Cover - Jacketed		107664	W107664
45	Hex Nut	8	108369	W108369
	Wing Nut		105850	W105850
46	Large Cleanout Plug	4	--	W35824
47	Drive Shaft Key, 3/16 X 3/16 X 1 1/8	1	000037001	W000-037-001

***When purchasing replacement parts for Waukesha® pumps manufactured before 07/12/04, order the following parts.**

Item	Description	Quantity Per Pump	Reference Part No.	ZMT Part No.
26	Bearing Retainer Front	2	101810	W101810
27	Grease Seal Front Brg Ret	2	101716	W101716

Waukesha® - Registered Trademark of SPX Process Equipment

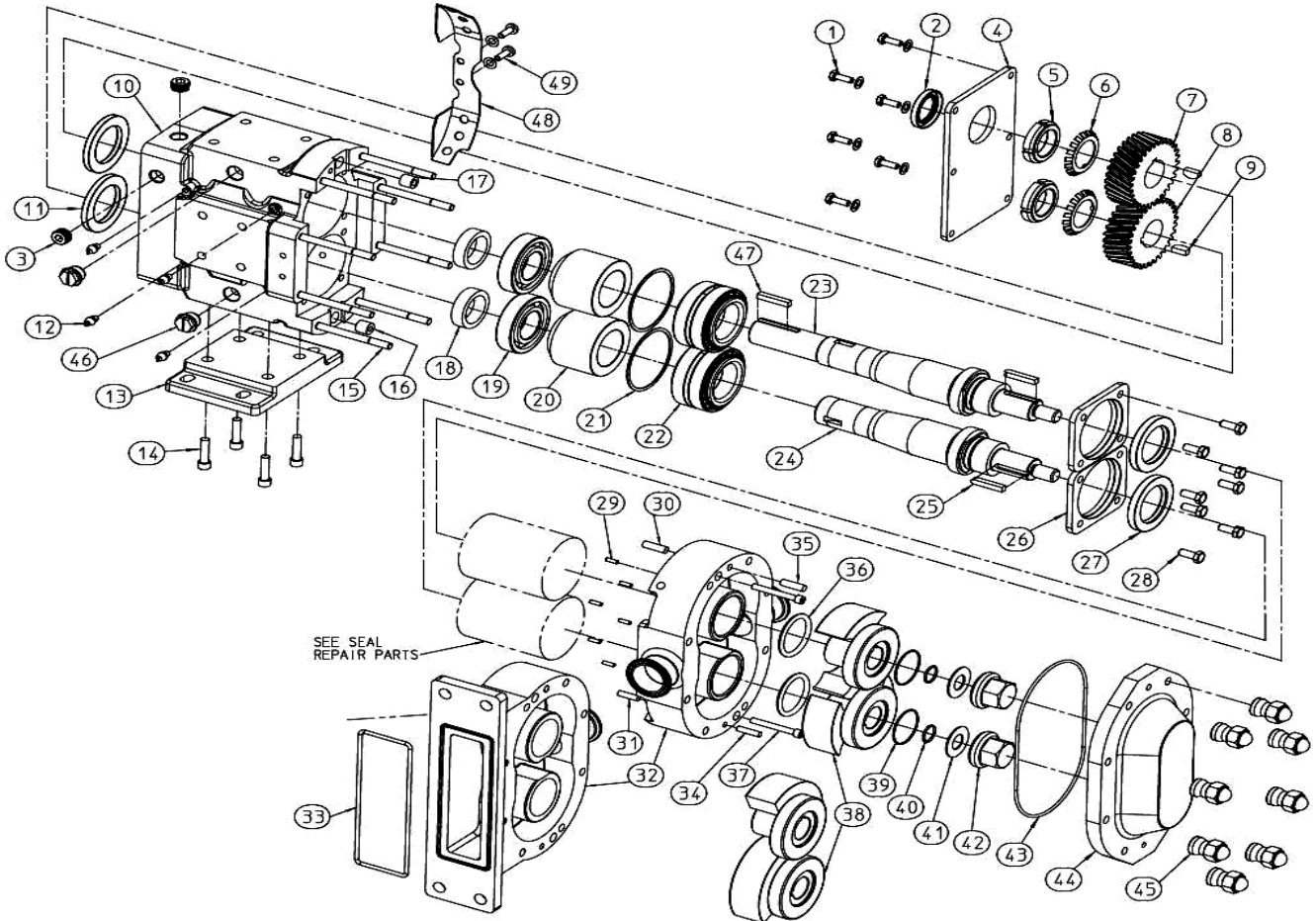
Viton® - Registered Trademark of DuPont Performance Elastomers.

ZM Technologies, Inc. grants license to its authorized distributors to copy, modify and distribute these repair parts sheets to their customers as necessary to meet business needs.



[Back to Index](#)

PARTS LIST - U2-030, 034



Item	Description	Quantity Per Pump	Reference Part No.	ZMT Part No.
1	HH Capscrew, G5Z, GBX Cover, Model 030-034	6	30-283	FHCS31318-075-G5Z
1a	Washer, GBX Cover Capscrew, Model 030-034	6	43-194	FFW313C
2	Oil Seal - Gear Case Cover	1	000030013	W000-030-013
3	Oil Plug 030-523, Gearbox	6	000046004	W000-046-004
4	Gear Case Cover, Steel (includes installed seal)	1	040106000	W040-106-000
	Gear Case Cover, SS (includes installed seal)		102281	W102281
5	Lock Nut - Gear	2	CD0036N00	WCD0-036-N00
6	Lock Washer - Gear	2	CD0036W00	WCD0-036-W00
7	Gear Drive Shaft	1	030007001	W030-007-001
8	Gear Short Shaft	1	030007002	W030-007-002
9	Key, Gear	2	BD0037000	WBD0-037-000
10	Gear Case, CI	1	102277	W102277



[Back to Index](#)

PARTS LIST - U2-030, 034

	Gear Case, SS		101833	W101833
11	Oil Seal Rear		000030014	W000-030-014
Item	Description	Quantity Per Pump	Reference Part No.	ZMT Part No.
12	Grease Fitting 1/8	8	BD0092000	WBD0-092-000
13	Mounting Shim (Gear Case Base), CI	1	040110000	W040-110-000
	Mounting Shim (Gear Case Base), SS		102285	W102285
14	SH Capscrew, G8Z, Mount/Base, Model 030-034	4	30-344	FSHCS37516-100-G8Z
15	Stud	8	108842	W108842
	Stud Jacketed Cover	8	108845	W108845
	Stud	6	108842	W108842
	Stud, Short, U1-034	2	35555	W35555
	Stud Jacketed Cover	6	108845	W108845
	Stud, Short, Jacketed Cover, U1-034	2	35549	W35549
16	Dowel Bushing, Lower	1	BD0116100	WBD0-116-100
17	Dowel Bushing, Upper	1	BD0116000	WBD0-116-000
18	Spacer Gear to Rear Bearing	2	030055000	W030-055-000
19	Rear Bearing	2	030035000	W030-035-000
20	Spacer Bearing	2	101815	W101815
21	030 - 034 Shim Kit	2	-----	W117890
22	Front Bearing	2	101715	W101715
23	Drive Shaft (17-4PH) Model 030, 034 U2	1	108409	W108409
24	Idle Shaft (17-4PH) Model 030 U2	1	108410	W108410
25	Rotor Key	2	101821	W101821
26*	Bearing Retainer Front	2	120333	W120333
27*	Grease Seal Front Brg Ret	2	121680	W121680
28	BH Capscrew, SS, Brg Ret, Model 030-034	8	30-29	FBHCS31318-075-SS
29	Stop Pin, Seal	6	101719	W101719
30	Dowel Pin, Upper Gear Case Side	1	BD0040200	WBD0-040-200
31	Dowel Pin, Lower Gear Case Side	1	BD0040300	WBD0-040-300
32	Pump Body - 030 U2	1	--	W030U2-001-010
	Pump Body - 034 U2		--	W034U2-001-010
33	Rectangular Flange O-Ring - Buna	1	N70357	WN70357
34	Dowel Pin, Lower Cover Side	1	BD0040100	WBD0-040-100
35	Dowel Pin, Upper Cover Side	1	BD0040000	WBD0-040-000
36	Rotor Hub O-Ring - Buna	2	N70127	WN70127
	Rotor Hub O-Ring - EPDM		E70127	WE70127
	Rotor Hub O-Ring - Viton®		V70127	WV70127
37	SH Capscrew, SS, Body Retaining, Model 018--030	2	30-211	FSHCS25020-200-SS
38	Rotor Twin Blade - #W88 Alloy - Model 030 U2	2	102151	W030U2-010-000
	Rotor Twin Blade - #W88 Alloy - Model 030 U2 + .0		-----	W030U2-010-000-040



[Back to Index](#)

PARTS LIST - U2-030, 034

	Rotor Twin Blade - #W88 Alloy - Model 030 U2 + .0		-----	W030U2-010-000-080
	Single Blade Rotor - #W88 Alloy - 45° - 030 U2		117084	W117084
39	Rotor Nut O-Ring - Buna	2	N70130	WN70130
	Rotor Nut O-Ring - EPDM		E70130	WE70130
	Rotor Nut O-Ring - Viton®		V70130	WV70130
Item	Description	Quantity Per Pump	Reference Part No.	ZMT Part No.
40	Retainer O-Ring - Buna	2	N70115	WN70115
	Retainer O-Ring - EPDM		E70115	WE70115
	Retainer O-Ring - Viton®		V70115	WV70115
41	Washer, Belleville	2	101692	W101692
42	Rotor Nut	2	101805	W101805
43	Cover O-Ring - Buna	1	N70259	WN70259
	Cover O-Ring - EPDM		E70259	WE70259
	Cover O-Ring - Viton®		V70259	WV70259
44	Pump Cover	1	101845	W101845
	Pump Cover - Jacketed		107666	W107666
45	Hex Nut	8	108370	W108370
	Wing Nut		105851	W105851
46	Large Cleanout Plug	4	--	W41013
47	Drive Shaft Key, 1/4 X 1/4 X 1 3/4	1	000037002	W000-037-002

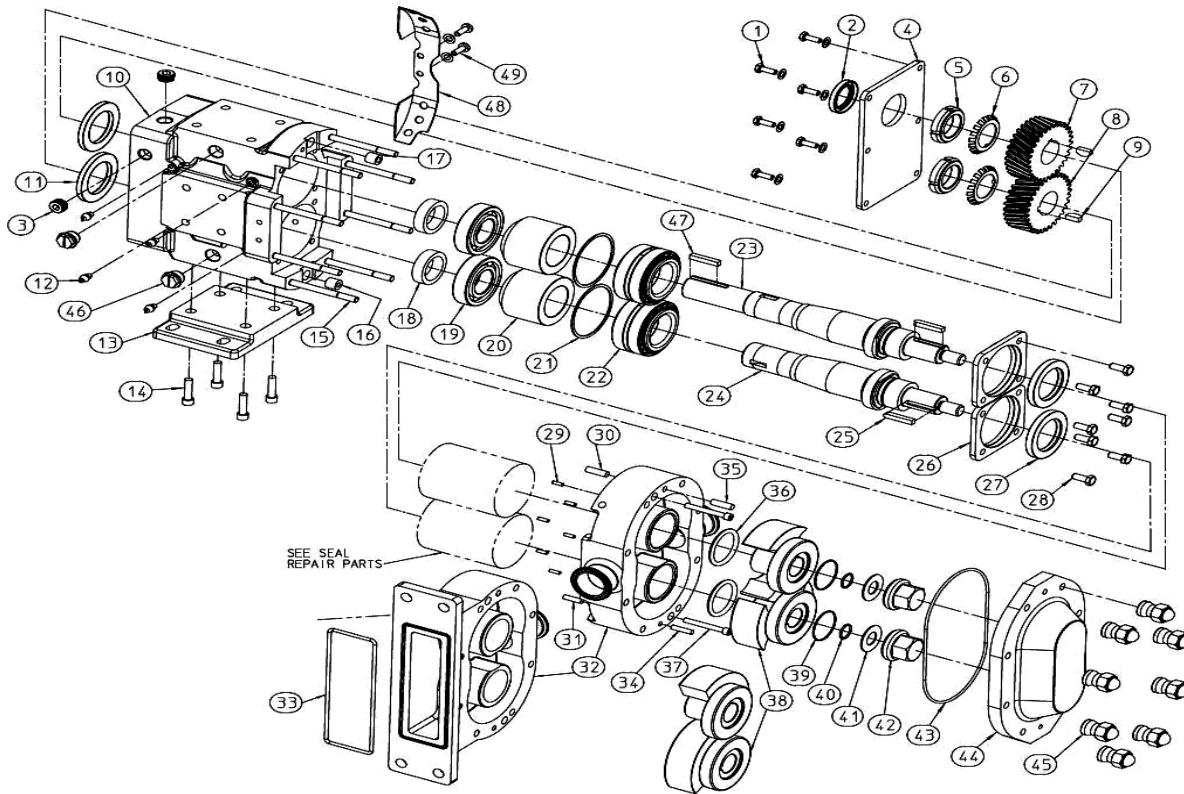
***When purchasing replacement parts for Waukesha® pumps manufactured before 07/12/04, order the following parts.**

Item	Description	Quantity Per Pump	Reference Part No.	ZMT Part No.
26	Bearing Retainer Front	2	101811	W101811
27	Grease Seal Front Brg Ret	2	101717	W101717

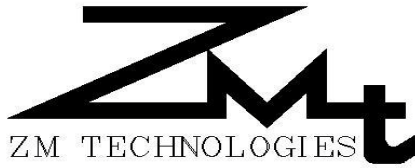
Waukesha® - Registered Trademark of SPX Process Equipment

Viton® - Registered Trademark of DuPont Performance Elastomers.

ZM Technologies, Inc. grants license to its authorized distributors to copy, modify and distribute these repair parts sheets to their customers as necessary to meet business needs.

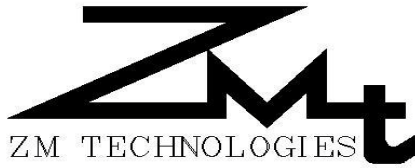


Item	Description	Quantity Per Pump	Reference Part No.	ZMT Part No.
1	SH Capscrew, SS, Body Retaining, Model 018--030	6	30-211	FSHCS25020-200-SS
1a	Washer, GBX Cover Capscrew, Model 060--324	6	43-189	FFW375C
2	Oil Seal - Gear Case Cover	1	000030012	W000-030-012
3	Oil Plug 030-523, Gearbox	6	000046004	W000-046-004
4	Gear Case Cover, Steel (includes installed seal)	1	070106000	W070-106-000
	Gear Case Cover, SS (includes installed seal)		102282	W102282
5	Lock Nut - Gear	2	STD236009	WSTD-236-009
6	Lock Washer - Gear	2	STD136009	WSTD-136-009
7	Gear Drive Shaft	1	060007001	W060-007-001
8	Gear Short Shaft	1	060007002	W060-007-002
9	Key, Gear	2	060037000	W060-037-000
10	Gear Case, CI	1	070005000	W070-005-000



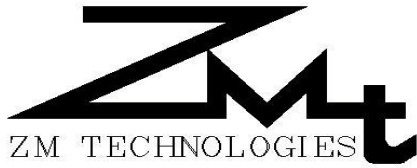
[Back to Index](#)

Item	Description	Quantity Per Pump	Reference Part No.	ZMT Part No.
	Gear Case, SS		101834	W101834
11	Oil Seal Rear	2	000030011	W000-030-011
12	Grease Fitting 1/8	8	BD0092000	WBD0-092-000
13	Mounting Shim (Gear Case Base), Cl	1	070110000	W070-110-000
	Mounting Shim (Gear Case Base), SS		102286	W102286
14	SH Capscrew, G8Z, Mount/Base, Model 220-224	4	30-111	FSHCS50013-200-G8Z
15	Stud, U2	8	107242	W107242
	Stud Jacketed Cover		108845	W108845
	Stud	8	108843	W108843
	Stud Jacketed Cover		108846	W108846
	Stud	8	130011000	W130-011-000
	Stud Jacketed Cover		130011001	W130-011-001
	Stud	6	108843	W108843
	Stud, Short, U1-064	2	0C1050000	W0C1-050-000
	Stud Jacketed Cover	6	108846	W108846
	Stud, Short, Jacketed, U1-064	2	35556	W35556
	Stud	6	130011000	W130-011-000
	Stud, Short, U1-064	2	0C1050000	W0C1-050-000
	Stud Jacketed Cover	6	130011001	W130-011-001
	Stud, Short, Jacketed, U1-064	2	35556	W35556
16	Dowel Bushing, Lower	1	CD0116100	WCD0-116-100
17	Dowel Bushing, Upper	1	CD0116000	WCD0-116-000
18	Spacer Gear to Rear Bearing	2	107187	W107187
19	Rear Bearing	2	107186	W107186
20	Spacer Bearing	2	060055003	W060-055-003
21	045 - 134 Shim Kit	2	117891	W117891
22	Front Bearing	2	060036000	W060-036-000
23	Drive Shaft (17-4PH) Model 045 U2	1	110021	W110021
	Drive Shaft (17-4PH) Model 060, 064 U2		108411	W108411
	Drive Shaft (17-4PH) Model 130, 134 U2		108413	W108413
24	Idle Shaft (17-4PH) Model 045 U2	1	110022	W110022
	Idle Shaft (17-4PH) Model 060, 064 U2		108412	W108412
	Idle Shaft (17-4PH) Model 130, 134 U2		108414	W108414
25	Rotor Key	2	110926	W110926
	Rotor Key		101823	W101823
	Rotor Key		101825	W101825
26*	Bearing Retainer Front	2	121828	W121828
27	Grease Seal Front Brg Ret	2	101829	W101829
28	BH Capscrew, SS, Brg Ret, Model 060--324	8	30-60	FBHCS37516-125-SS




[Back to Index](#)

Item	Description	Quantity Per Pump	Reference Part No.	ZMT Part No.
29	Stop Pin, Seal	6	101720	W101720
30	Dowel Pin, Upper Gear Case Side	1	CD0040R00	WCD0-040-R00
31	Dowel Pin, Lower Gear Case Side	1	CD0040R10	WCD0-040-R10
32	Pump Body - 045 U2	1	--	W045U2-001-010
	Pump Body - 060 U2		--	W060U2-001-010
	Pump Body - 130 U2		--	W130U2-001-010
	Pump Body - 134 U2		--	W134U2-001-010
33	Rectangular Flange O-Ring - Buna (Model 064)	1	N70366	WN70366
	Rectangular Flange O-Ring - Buna (Model 134)		N70369	WN70369
34	Dowel Pin, Lower Cover Side	1	CD0040100	WCD0-040-100
35	Dowel Pin, Upper Cover Side	1	CD0040000	WCD0-040-000
37	SH Capscrew, SS, Body Retaining, Model 045 U2	2	30-615	FSHCS31318-250-SS
	SH Capscrew, SS, Body Retaining, Model 060-064		30-319	FSHCS31318-325-SS
	SH Capscrew, SS, Body Retaining, Model 130-134		30-423	FSHCS31318-400-SS
36	Rotor Hub O-Ring - Buna	2	N70224	WN70224
	Rotor Hub O-Ring - EPDM		E70224	WE70224
	Rotor Hub O-Ring - Viton®		V70224	WV70224
38	Rotor Twin Blade - #W88 Alloy - Model 045 U2	2	107252	W045U2-010-000
	Rotor Twin Blade - #W88 Alloy - Model 045 U2 + .040		-----	W045U2-010-000-040
	Rotor Twin Blade - #W88 Alloy - Model 045 U2 + .040		-----	W045U2-010-000-040
	Rotor Twin Blade - #W88 Alloy - Model 060 U2		102163	W060U2-010-000
	Rotor Twin Blade - #W88 Alloy - Model 060 U2 + .040		-----	W060U2-010-000-040
	Rotor Twin Blade - #W88 Alloy - Model 060 U2 + .080		-----	W060U2-010-000-080
	Rotor Twin Blade - #W88 Alloy - Model 130 U2		102175	W130U2-010-000
	Rotor Twin Blade - #W88 Alloy - Model 130 U2 + .040		-----	W130U2-010-000-040
	Rotor Twin Blade - #W88 Alloy - Model 130 U2 + .040		-----	W130U2-010-000-040
	Single Blade Rotor - #W88 Alloy - 45° - 060 U2		117117	W117117
	Single Blade Rotor - #W88 Alloy - 45° - 130 U2		117129	W117129
39	Rotor Nut O-Ring - Buna	2	N70227	WN70227
	Rotor Nut O-Ring - EPDM		E70227	WE70227
	Rotor Nut O-Ring - Viton®		V70227	WV70227
40	Retainer O-Ring - Buna	2	N70119	WN70119
	Retainer O-Ring - EPDM		E70119	WE70119
	Retainer O-Ring - Viton®		V70119	WV70119
41	Washer, Belleville	2	101693	W101693
42	Rotor Nut	2	101806	W101806
43	Cover O-Ring - Buna	1	N70373	WN70373
	Cover O-Ring - EPDM		E70373	WE70373
	Cover O-Ring - Viton®		V70373	WV70373



[Back to Index](#)



44	Pump Cover	1	101848	W101848
	Pump Cover - Jacketed		107668	W107668
45	Hex Nut	8	108371	W108371
	Wing Nut		105852	W105852
46	Large Cleanout Plug	4	--	W41013
47	Drive Shaft Key, 3/8 X 3/8 X 1 5/8	1	000037003	W000-037-003

***When purchasing replacement parts for Waukesha® pumps manufactured before 07/12/04, order the following parts.**

Item	Description	Quantity Per Pump	Reference Part No.	ZMT Pump Part No.
26	Bearing Retainer Front	2	101812	W101812

Waukesha® - Registered Trademark of SPX Process Equipment

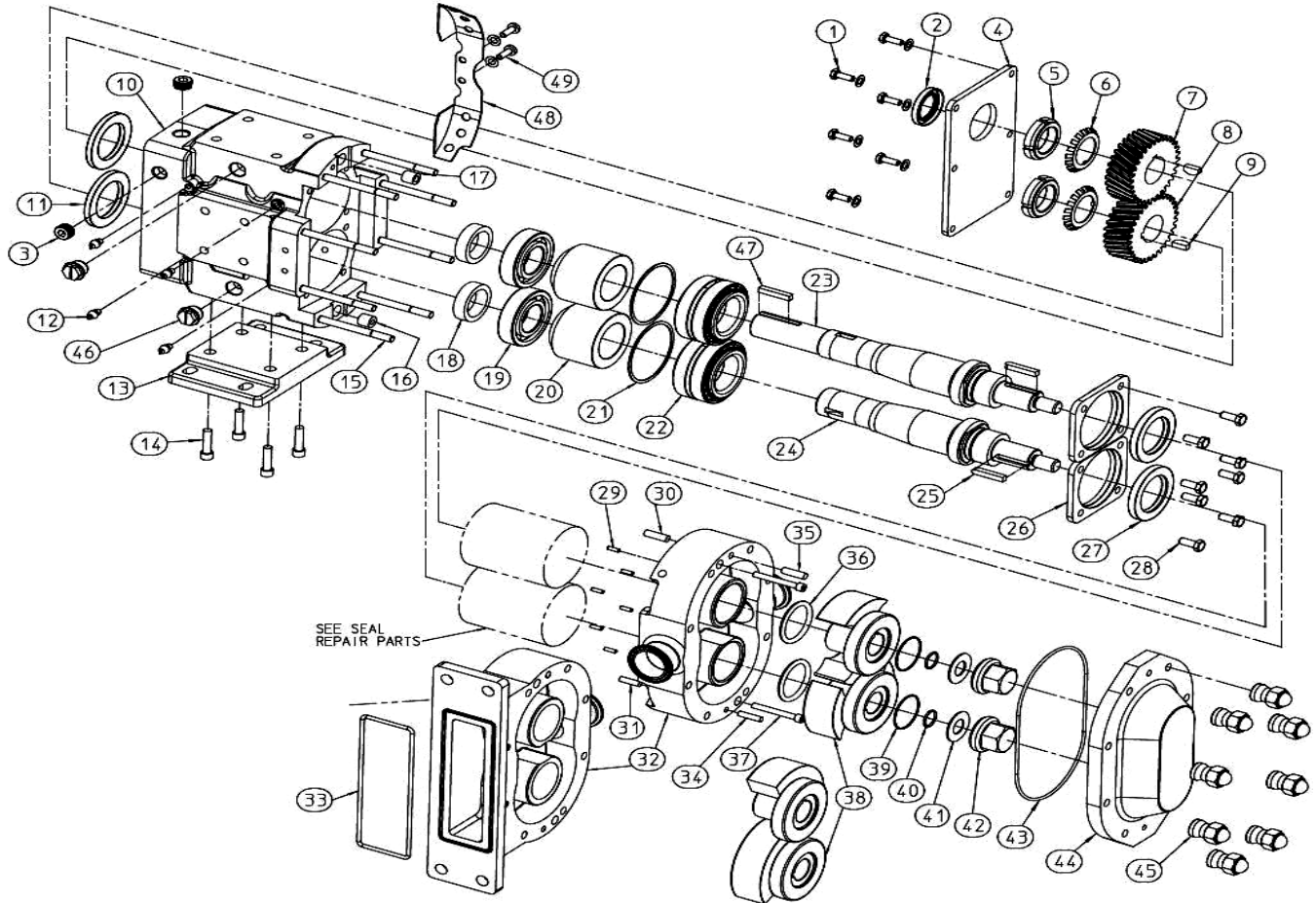
Viton® - Registered Trademark of DuPont Performance Elastomers.

ZM Technologies, Inc. grants license to its authorized distributors to copy, modify and distribute these repair parts sheets to their customers as necessary to meet business needs.

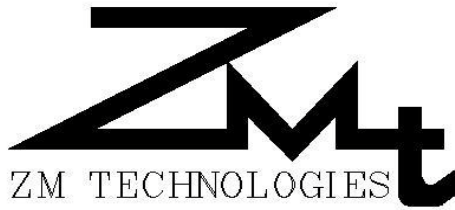


[Back to Index](#)

PARTS LIST - U2-180, 220, 224



Item	Description	Quantity Per Pump	Reference Part No.	ZMT Part No.
1	SH Capscrew, SS, Body Retaining, Model 018--030	6	30-211	FSHCS25020-200-SS
1a	Washer, GBX Cover Capscrew, Model 060--324	6	43-189	FFW375C
2	Oil Seal - Gear Case Cover	1	STD030006	WSTD-030-006
3	Oil Plug 030-523, Gearbox	6	000046004	W000-046-004
4	Gear Case Cover, Steel (includes installed seal)	1	230106000	W230-106-000
5	Lock Nut - Gear	2	STD236011	WSTD-236-011
6	Lock Washer - Gear	2	STD136011	WSTD-136-011
7	Gear Drive Shaft	1	200007001	W200-007-001
8	Gear Short Shaft	1	200007002	W200-007-002
9	Key, Gear	2	200037000	W200-037-000
10	Gear Case, CI	1	230005000	W230-005-000



[Back to Index](#)

PARTS LIST - U2-180, 220, 224

Item	Description	Quantity Per Pump	Reference Part No.	ZMT Part No.
11	Oil Seal Rear	2	STD119002	WSTD-119-002
12	Grease Fitting 1/8	8	BD0092000	WBD0-092-000
13	Mounting Shim (Gear Case Base), CI	1	230110000	W230-110-000
14	SH Capscrew, G8Z, Mount/Base, Model 320-323	4	30-250	FSHCS50013-175-G8Z
15	Stud	8	108844	W108844
	Stud, Short, U1-224		35550	W35550
	Stud Jacketed, 220 U1		108847	W108847
	Stud	6	108844	W108844
	Stud, Short, U1-224	2	35550	W35550
16	Dowel Bushing, Lower	1	CD0116100	WCD0-116-100
17	Dowel Bushing, Upper	1	CD0116000	WCD0-116-000
18	Spacer Gear to Rear Bearing	2	40878	W40878
19	Rear Bearing	2	200035000	W200-035-000
20	Spacer Bearing	2	40752	W40752
21	180 - 224 Shim Kit	2	117892	W117892
22	Front Bearing	2	200036000	W200-036-000
23	Drive Shaft (17-4PH) Model 220, 224 U2	1	108415	W108415
	Drive Shaft (17-4PH) Model 180, 184 U2		110023	W110023
24	Idle Shaft (17-4PH) Model 220, 224 U2	1	108416	W108416
	Idle Shaft (17-4PH) Model 180, 184 U2		110024	W110024
25	Rotor Key	2	101827	W101827
	Rotor Key		101828	W101828
26*	Bearing Retainer Front	2	121829	W121829
27	Grease Seal Front Brg Ret	2	121681	W121681
28	BH Capscrew, SS, Brg Ret, Model 060--324	8	30-60	FBHCS37516-125-SS
29	Stop Pin, Seal	6	101720	W101720
30	Dowel Pin, Upper Gear Case Side	1	CD0040R00	WCD0-040-R00
31	Dowel Pin, Lower Gear Case Side	1	CD0040R10	WCD0-040-R10
32	Pump Body - 180 U2	1	--	W180U2-001-010
	Pump Body - 220 U2		--	W220U2-001-010
	Pump Body - 224 U2		--	W224U2-001-010
33	Rectangular Flange O-Ring - Buna	1	N70376	WN70376
34	Dowel Pin, Lower Cover Side	1	GD0040100	WGD0-040-100
35	Dowel Pin, Upper Cover Side	1	GD0040000	WGD0-040-000
36	Rotor Hub O-Ring - Buna	2	N70230	WN70230
	Rotor Hub O-Ring - EPDM		E70230	WE70230
	Rotor Hub O-Ring - Viton®		V70230	WV70230



[Back to Index](#)

PARTS LIST - U2-180, 220, 224

37	SH Capscrew, SS, Body Retaining, Model 180/320/323	2	30-323	FSHCS37516-400-SS
	SH Capscrew, SS, Body Retaining, Model 220/380		30-499	FSHCS37516-450-SS
Item	Description	Quantity Per Pump	Reference Part No.	ZMT Part No.
38	Rotor Twin Blade - #W88 Alloy - Model 180 U2	2	107273	W180U2-010-000
	Rotor Twin Blade - #W88 Alloy - Model 180 U2 + .040		-----	W180U2-010-000-040
	Rotor Twin Blade - #W88 Alloy - Model 180 U2 + .080		-----	W180U2-010-000-080
	Rotor Twin Blade - #W88 Alloy - Model 220 U2		102187	W220U2-010-000
	Rotor Twin Blade - #W88 Alloy - Model 220 U2 + .040		-----	W220U2-010-000-040
	Rotor Twin Blade - #W88 Alloy - Model 220 U2 + .080		-----	W220U2-010-000-080
	Single Blade Rotor - #W88 Alloy - 45° - 220 U2		117141	W117141
39	Rotor Nut O-Ring - Buna	2	N70235	WN70235
	Rotor Nut O-Ring - EPDM		E70235	WE70235
	Rotor Nut O-Ring - Viton®		V70235	WV70235
40	Retainer O-Ring - Buna	2	N70122	WN70122
	Retainer O-Ring - EPDM		E70122	WE70122
	Retainer O-Ring - Viton®		V70122	WV70122
41	Washer, Belleville	2	101694	W101694
42	Rotor Nut	2	101807	W101807
43	Cover O-Ring - Buna	1	N70381	WN70381
	Cover O-Ring - EPDM		E70381	WE70381
	Cover O-Ring - Viton®		V70381	WV70381
44	Pump Cover	1	101851	W101851
45	Hex Nut	8	108372	W108372
	Wing Nut		105853	W105853
46	Large Cleanout Plug	4	--	W41013
47	Drive Shaft Key, 1/2 X 1/2 X 1 7/8	1	000037004	W000-037-004

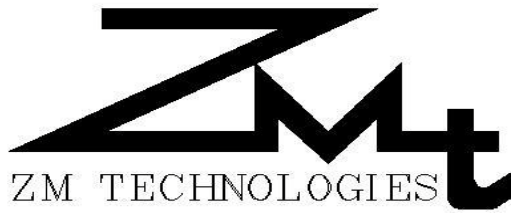
***When purchasing replacement parts for Waukesha® pumps manufactured before 07/12/04, order the following parts.**

Item	Description	Quantity Per Pump	Reference Part No.	ZMT Part No.
26	Bearing Retainer Front	2	101813	W101813

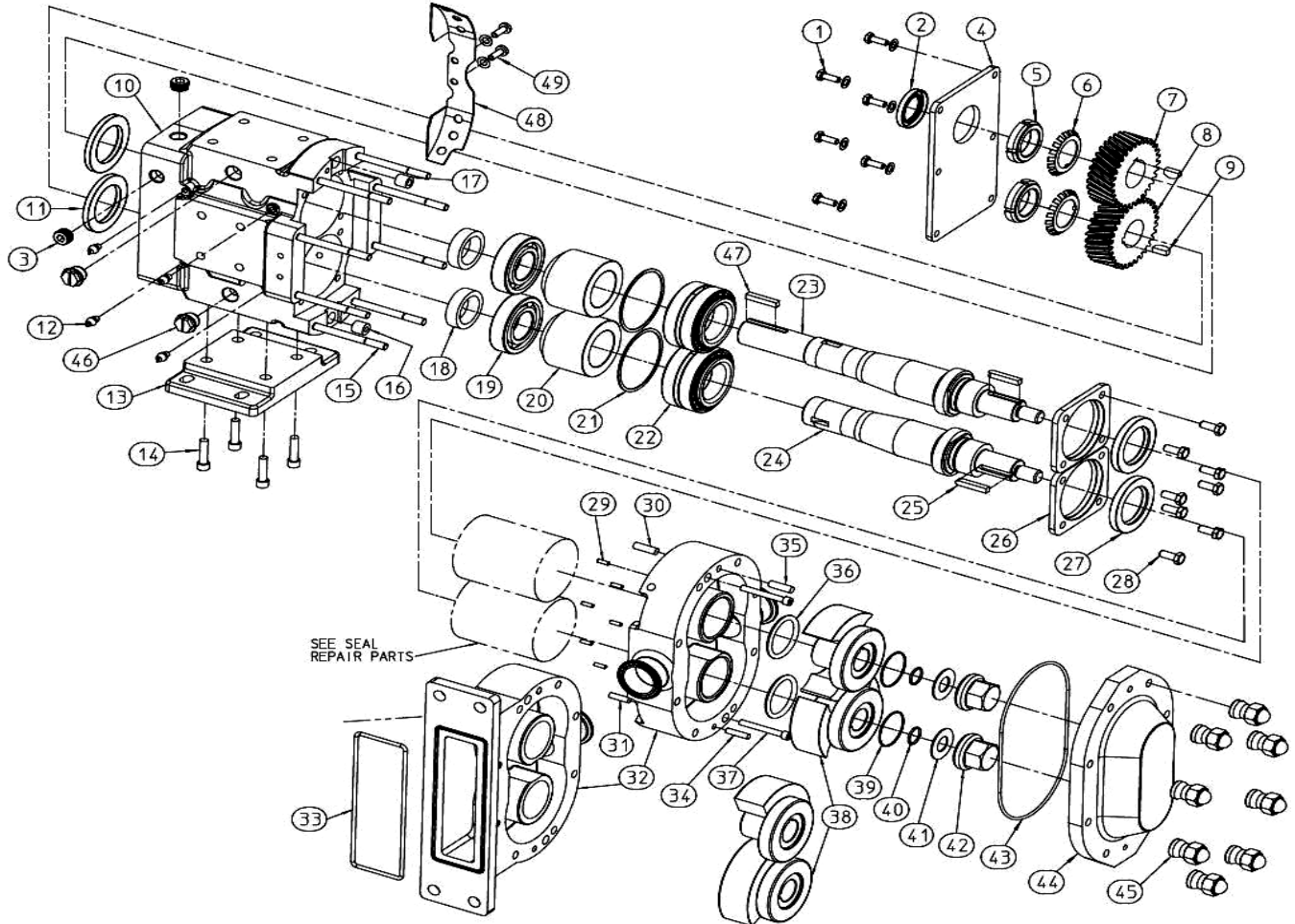
Waukesha® - Registered Trademark of SPX Process Equipment

Viton® - Registered Trademark of DuPont Performance Elastomers.

ZM Technologies, Inc. grants license to its authorized distributors to copy, modify and distribute these repair parts sheets to their customers as necessary to meet business needs.



PARTS LIST - U2-210, 320



Item	Description	Quantity Per Pump	Reference Part No.	ZMT Part No.
1	SH Capscrew, SS, Body Retaining, Model 018--030	6	30-211	FSHCS25020-200-SS
1a	Washer, GBX Cover Capscrew, Model 060--324	6	43-189	FFW375C
2*	Oil Seal - Gear Case Cover	1	STD030006	WSTD-030-006
3	Oil Plug 030-523, Gearbox	6	000046004	W000-046-004
4	Gear Case Cover, Steel (includes installed seal)	1	40669	W40669
5	Lock Nut - Gear	2	105697	W105697
6	Lock Washer - Gear	2	STD136005	WSTD-136-005
7	Gear Drive Shaft	1	102470	W102470
8	Gear Drive Shaft	1	102470	W102470
9	Key, Gear	2	0H1037000	W0H1-037-000
10	Gearcase, CI, 210-320 U2	1	105478	W105478



PARTS LIST - U2-210, 320

Item	Description	Quantity Per Pump	Reference Part No.	ZMT Part No.
11	Oil Seal Rear	2	102475	W102475
12	Grease Fitting 1/8	8	BD0092000	WBD0-092-000
13	Mounting Shim (Gear Case Base), CI	1	40288	W40288
14	SH Capscrew, G8Z, Mount/Base, Model 320-323	4	30-250	FSHCS50013-175-G8Z
15a	Stud, Cover, Long	4	111291	W111291
15b	Stud, Cover, Short	4	111292	W111292
	Stud, Cover, Long	4	112191	W112191
16&17	Dowel Bushing, Gearcase	2	0H1116000	W0H1-116-000
18	Spacer Gear to Rear Bearing	2	102474	W102474
19	Rear Bearing	2	0H1036000	W0H1-036-000
20	320 front Bearing Spacer	2	102472	W102472
21	210 - 324 Shim Kit	2	117893	W117893
22	Front Bearing	2	0H1036003	W0H1-036-003
23	Drive Shaft (17-4PH) Model 210, 214 U2	1	112186	W112186
	Drive Shaft (17-4PH) Model 320, 324 U2	1	108417	W108417
24	Idle Shaft (17-4PH) Model 210, 214 U2	1	112187	W112187
	Idle Shaft (17-4PH) Model 320, 324 U2	1	108418	W108418
25	Rotor Key	2	105422	W105422
	Rotor Key	2	105421	W105421
26	Bearing Retainer Front	2	123533	W123533
27	Grease Seal Front Brg Ret	2	121681	W121681
28	BH Capscrew, SS, Brg Ret, Model 060--324	8	30-60	FBHCS37516-125-SS
29	Stop Pin, Seal	6	102438	W102438
30	Dowel Pin, Gear Case Side	2	--	W320-004-R00
31	Dowel Pin, Gear Case Side		--	W320-004-R00
32	Pump Body - 210 U2	1	--	W210U2-001-010
	Pump Body - 320 U2		--	W320U2-001-010
34	Dowel Pin, Cover Side	2	--	W320-004-000
35	Dowel Pin, Cover Side		--	W320-004-000
Item	Description	Quantity Per Pump	Reference Part No.	ZMT Part No.
36	Rotor Hub O-Ring - Buna	2	N70232	WN70232
	Rotor Hub O-Ring - EPDM		E70232	WE70232
	Rotor Hub O-Ring - Viton®		V70232	WV70232
37	SH Capscrew, SS, Body Retaining, Model 180/320/323	2	30-323	FSHCS37516-400-SS
	SH Capscrew, SS, Body Retaining, Model 220/380		30-499	FSHCS37516-450-SS
	Rotor Twin Blade - #W88 Alloy - Model 210 U2		112199	W210U2-010-000



[Back to Index](#)

PARTS LIST - U2-210, 320

38	Rotor Twin Blade - #W88 Alloy - Model 210 U2 + .040	2	-----	W210U2-010-000-040
	Rotor Twin Blade - #W88 Alloy - Model 210 U2 + .080		-----	W210U2-010-000-080
	Rotor Twin Blade - #W88 Alloy - Model 210 U2		112199	W210U2-010-000
	Rotor Twin Blade - #W88 Alloy - Model 210 U2 + .040		-----	W210U2-010-000-040
	Rotor Twin Blade - #W88 Alloy - Model 210 U2 + .080		-----	W210U2-010-000-080
39	Rotor Nut O-Ring - Buna	2	N70237	WN70237
	Rotor Nut O-Ring - EPDM		E70237	WE70237
	Rotor Nut O-Ring - Viton®		V70237	WV70237
40	Retainer O-Ring - Buna	2	N70125	WN70125
	Retainer O-Ring - EPDM		E70125	WE70125
	Retainer O-Ring - Viton®		V70125	WV70125
41	Washer, Belleville	2	105411	W105411
42	Rotor Nut	2	105409	W105409
43	Cover O-Ring - Buna (Model 210 U2)	1	N70382	WN70382
	Cover O-Ring - EPDM (Model 210 U2)		E70382	WE70382
	Cover O-Ring - Viton® (Model 210 U2)		V70382	WV70382
	Cover O-Ring - Buna (Model 320 U2)		N70383	WN70383
	Cover O-Ring - EPDM (Model 320 U2)		E70383	WE70383
	Cover O-Ring - Viton® (Model 320 U2)		V70383	WV70383
44	Pump Cover	1	112864	W112864
	Pump Cover		105406	W105406
45	Hex Nut (optional)	8	108373	W108373
46	Large Cleanout Plug		--	W41013
47	Drive Shaft Key, 5/8 X 5/8 X 2 3/4		000037005	W000-037-005

***When purchasing replacement parts for Waukesha® pumps, order the following parts.**

Item	Description	Quantity Per Pump	Reference Part No.	ZMT Part No.
2	Oil Seal - Gear Case Cover	2	STD030004	WSTD-030-004

Waukesha® - Registered Trademark of SPX Process Equipment

Viton® - Registered Trademark of DuPont Performance Elastomers.

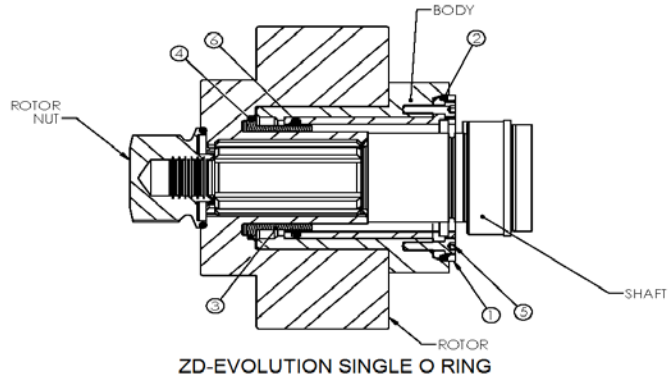
ZM Technologies, Inc. grants license to its authorized distributors to copy, modify and distribute these repair parts sheets to their customers as necessary to meet business needs.



Effective Date 7/1/2013

[Back to Index](#)

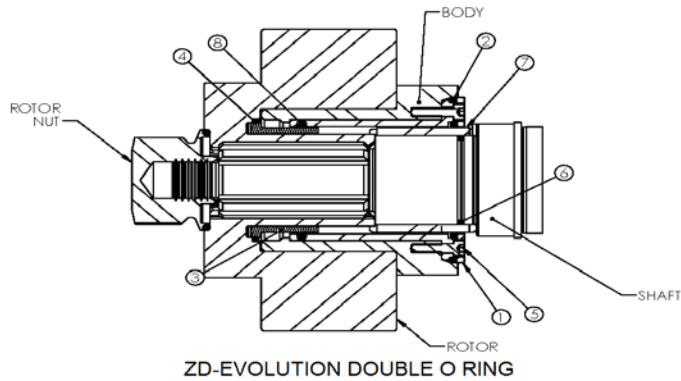
Mechanical Seal Parts List - ZD-Evolution Pumps



ZD-EVOLUTION SINGLE O-RING

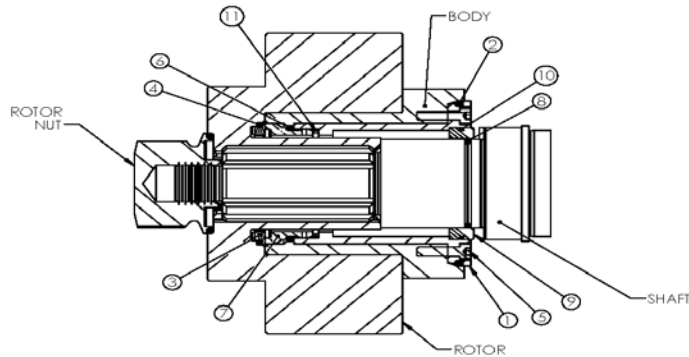
Single O-ring Seal:

Item	Description	Quantity Per Pump	ZD Evolution 006 - 018 ZMT Part No.	ZD Evolution 030 - 034 ZMT Part No.	ZD Evolution 045 ZMT Part No.	ZD Evolution 060- 064 ZMT Part No.	ZD Evolution 130-134 ZMT Part No.	ZD Evolution 180 ZMT Part No.	ZD Evolution 220 - 224 ZMT Part No.	ZD Evolution 210 ZMT Part No.	ZD Evolution 320 - 323 ZMT Part No.	ZD Evolution 380 - 383 ZMT Part No.
Single O-Ring Seal:												
1	ZD-Evo Single/Double O-Ring Seal Gland, 316SS	2	W006FZ-08X-0101	W030FZ-08X-0101	W045FZ-08X-0101	W060FZ-08X-0101	W130FZ-08X-0101	W180FZ-08X-0101	W220FZ-08X-0101	N/A	N/A	N/A
2	ZD-Evo Gland Outer O-Ring	2	WN70226	WN70233	WN70236	WN70236	WN70236	WN70244	WN70244	N/A	N/A	N/A
	ZD-Evo Gland Outer O-Ring		WE70226	WE70233	WE70236	WE70236	WE70244	WE70244	N/A	N/A	N/A	
	ZD-Evo Gland Outer O-Ring		WV70226	WV70233	WV70236	WV70236	WV70244	WV70244	N/A	N/A	N/A	
	ZD-Evo Gland Outer O-Ring		WS75226	WS75233	WS75236	WS75236	WS75244	WS75244	N/A	N/A	N/A	
3	ZD-Evo Inner O-Ring Seal Sleeve, 17-4 PH	2	W006FZ-11-0300	W030FZ-11-0300	W130FZ-11-0300	W130FZ-11-0300	W130FZ-11-0300	W220FZ-11-0300	W220FZ-11-0300	N/A	N/A	N/A
4	ZD-Evo Inner Rotary O-Ring Seal	2	WN70134	WN70136	WN70140	WN70140	WN70140	WN70152	WN70152	N/A	N/A	N/A
	ZD-Evo Inner Rotary O-Ring Seal		WE70134	WE70136	WE70140	WE70140	WE70140	WE70152	WE70152	N/A	N/A	N/A
	ZD-Evo Inner Rotary O-Ring Seal		WV70134	WV70136	WV70140	WV70140	WV70140	WV70152	WV70152	N/A	N/A	N/A
	ZD-Evo Inner Rotary O-Ring Seal		WS75134	WS75136	WS75140	WS75140	WS75140	WS75152	WS75152	N/A	N/A	N/A
5	ZD-Evo Gland Retaining Fasteners	4	FSHCS0832-075-SS	FSHCS1024-075-SS	FSHCS1024-075-SS	FSHCS1024-075-SS	FSHCS1024-075-SS	FSHCS1024-075-SS	FSHCS1024-075-SS	N/A	N/A	N/A
6	ZD-Evo Inner/Outer Stationary O-Ring	2	WN70220	WN70226	WN70228	WN70228	WN70228	WN70238	WN70238	N/A	N/A	N/A
	ZD-Evo Inner/Outer Stationary O-Ring		WE70220	WE70226	WE70228	WE70228	WE70228	WE70238	WE70238	N/A	N/A	N/A
	ZD-Evo Inner/Outer Stationary O-Ring		WV70220	WV70226	WV70228	WV70228	WV70228	WV70238	WV70238	N/A	N/A	N/A
	ZD-Evo Inner/Outer Stationary O-Ring		WS75220	WS75226	WS75228	WS75228	WS75228	WS75238	WS75238	N/A	N/A	N/A

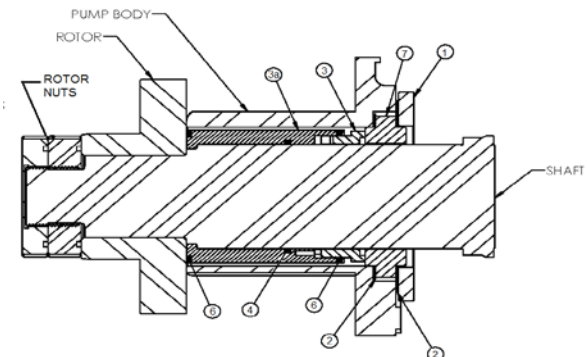


Double O-ring Seal:

Item	Description	Quantity Per Pump	ZD Evolution 006 - 018 ZMT Part No.	ZD Evolution 030 - 034 ZMT Part No.	ZD Evolution 045 ZMT Part No.	ZD Evolution 060- 064 ZMT Part No.	ZD Evolution 130-134 ZMT Part No.	ZD Evolution 180 ZMT Part No.	ZD Evolution 220 - 224 ZMT Part No.	ZD Evolution 210 ZMT Part No.	ZD Evolution 320 - 323 ZMT Part No.	ZD Evolution 380 - 383 ZMT Part No.
Double O-Ring Seal:												
1	ZD-Evo Single/Double O-Ring Seal Gland, 316SS	2	W006FZ-08X-0101	W030FZ-08X-0101	W045FZ-08X-0101	W060FZ-08X-0101	W130FZ-08X-0101	W180FZ-08X-0101	W220FZ-08X-0101	N/A	N/A	N/A
2	ZD-Evo Gland Outer O-Ring	2	WN70226	WN70233	WN70236	WN70236	WN70236	WN70244	WN70244	N/A	N/A	N/A
	ZD-Evo Gland Outer O-Ring		WE70226	WE70233	WE70236	WE70236	WE70244	WE70244	N/A	N/A	N/A	
	ZD-Evo Gland Outer O-Ring		WV70226	WV70233	WV70236	WV70236	WV70244	WV70244	N/A	N/A	N/A	
	ZD-Evo Gland Outer O-Ring		WS75226	WS75233	WS75236	WS75236	WS75244	WS75244	N/A	N/A	N/A	
3	ZD-Evo Inner O-Ring Seal Sleeve, 17-4 PH	2	W006FZ-11-0300	W030FZ-11-0300	W060FZ-11-0300	W060FZ-11-0300	W060FZ-11-0300	W220FZ-11-0300	W220FZ-11-0300	N/A	N/A	N/A
4	ZD-Evo Inner Rotary O-Ring Seal	2	WN70134	WN70136	WN70136	WN70136	WN70136	WN70152	WN70152	N/A	N/A	N/A
	ZD-Evo Inner Rotary O-Ring Seal		WE70134	WE70136	WE70136	WE70136	WE70136	WE70152	WE70152	N/A	N/A	N/A
	ZD-Evo Inner Rotary O-Ring Seal		WV70134	WV70136	WV70136	WV70136	WV70136	WV70152	WV70152	N/A	N/A	N/A
	ZD-Evo Inner Rotary O-Ring Seal		WS75134	WS75136	WS75136	WS75136	WS75136	WS75152	WS75152	N/A	N/A	N/A
5	ZD-Evo Gland Retaining Fasteners	4	FSHCS0832-075-SS	FSHCS1024-075-SS	FSHCS1024-075-SS	FSHCS1024-075-SS	FSHCS1024-075-SS	FSHCS1024-075-SS	FSHCS1024-075-SS	N/A	N/A	N/A
6	ZD-Evo Inner/Outer Stationary O-Ring	4	WN70220	WN70226	WN70220	WN70220	WN70220	WN70238	WN70238	N/A	N/A	N/A
	ZD-Evo Inner/Outer Stationary O-Ring		WE70220	WE70226	WE70220	WE70220	WE70238	WE70238	N/A	N/A	N/A	
	ZD-Evo Inner/Outer Stationary O-Ring		WV70220	WV70226	WV70220	WV70220	WV70238	WV70238	N/A	N/A	N/A	
	ZD-Evo Inner/Outer Stationary O-Ring		WS75220	WS75226	WS75220	WS75220	WS75238	WS75238	N/A	N/A	N/A	
7	Sleeve SS	2	W015-098-000	W015-098-000	W015-098-000	W015-098-000	W015-098-000	W015-098-000	W015-098-000	N/A	N/A	N/A
8	Shaft O-Ring - Buna	2	WN70022	WN70028	WN70131	WN70131	WN70131	WN70144	WN70144	N/A	N/A	N/A
	Shaft O-Ring - EPDM		WE70022	WE70028	WE70131	WE70131	WE70131	WE70144	WE70144	N/A	N/A	N/A
	Shaft O-Ring - Viton®		WV70022	WV70028	WV70131	WV70131	WV70131	WV70144	WV70144	N/A	N/A	N/A
	Shaft O-Ring - Silicone		WS75022	WS75028	WS75131	WS75131	WS75131	WS75144	WS75144	N/A	N/A	N/A



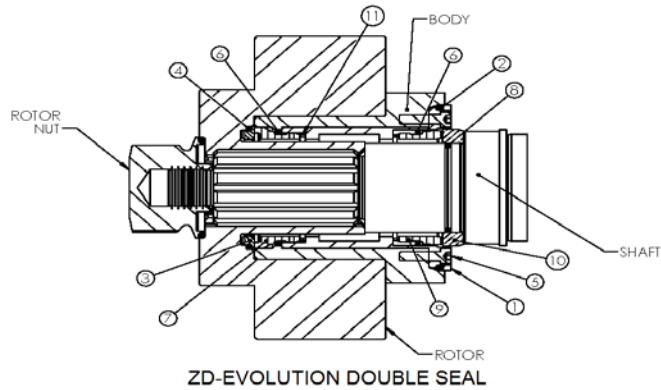
ZD-EVOLUTION SINGLE SEAL WITH BUSHING



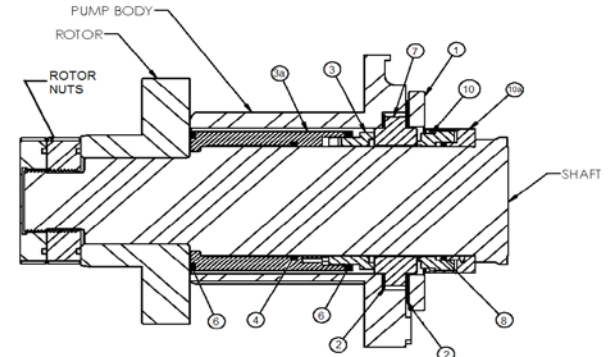
ZMT W320/380 EVOLUTION SINGLE SEAL

Single Mechanical Seal:

Item	Description	Quantity Per Pump	ZD Evolution 006 - 018 ZMT Part No.	ZD Evolution 030 - 034 ZMT Part No.	ZD Evolution 045 ZMT Part No.	ZD Evolution 060- 064 ZMT Part No.	ZD Evolution 130-134 ZMT Part No.	ZD Evolution 180 ZMT Part No.	ZD Evolution 220 - 224 ZMT Part No.	ZD Evolution 210 ZMT Part No.	ZD Evolution 320 - 323 ZMT Part No.	ZD Evolution 380 - 383 ZMT Part No.
Single Mechanical Seal:												
1	ZD-Evo Single Seal Gland, 316SS	2	W006FZ-08-0100	W030FZ-08-0100	W046FZ-08-0100	W060FZ-08-0100	W130FZ-08-0100	W180FZ-08-0100	W220FZ-08-0100	W300-034-001	W300-034-001	W300-034-001
	ZD-Evo Gland Outer O-Ring		WN70226	WN70233	WN70236	WN70236	WN70236	WN70244	WN70244	N/A	N/A	N/A
	ZD-Evo Gland Outer O-Ring		WE70226	WE70233	WE70236	WE70236	WE70236	WE70244	WE70244	W300-042-001 W300-042-002	W300-042-001 W300-042-002	W300-042-001 W300-042-002
2	ZD-Evo Gland Outer O-Ring	2	WV70226	WV70233	WV70236	WV70236	WV70236	WV70244	WV70244	W300-042-001V W300-042-002V	W300-042-001V W300-042-002V	W300-042-001V W300-042-002V
	ZD-Evo Gland Outer O-Ring		WS75226	WS75233	WS75236	WS75236	WS75236	WS75244	WS75244	W300-042-001S W300-042-002S	W300-042-001S W300-042-002S	W300-042-001S W300-042-002S
3	ZD-Evo Inner Rotary Seal, Silicon Carbide	2	W006FZ-00-2000	W030FZ-00-2000	W060FZ-00-2000	W060FZ-00-2000	W060FZ-00-2000	W220FZ-00-2000	W220FZ-00-2000	W210FZ-00-2000	W320FZ-00-2000	W380FZ-00-2000
	ZD-Evo Inner Rotary Seal, Tungsten Carbide		W006FZ-00-9000	W030FZ-00-9000	W060FZ-00-9000	W060FZ-00-9000	W060FZ-00-9000	W220FZ-00-9000	W220FZ-00-9000	W210FZ-00-9000	W320FZ-00-9000	W380FZ-00-9000
	ZD-Evo Inner Rotary O-Ring Seal		WN70134	WN70136	WN70140	WN70140	WN70140	WN70152	WN70152	WN70234	WN70234	WN70234
	ZD-Evo Inner Rotary O-Ring Seal		WE70134	WE70136	WE70140	WE70140	WE70140	WE70152	WE70152	WE70234	WE70234	WE70234
	ZD-Evo Inner Rotary O-Ring Seal		WV70134	WV70136	WV70140	WV70140	WV70140	WV70152	WV70152	WV70234	WV70234	WV70234
	ZD-Evo Inner Rotary O-Ring Seal		WS75134	WS75136	WS75140	WS75140	WS75140	WS75152	WS75152	WS75234	WS75234	WS75234
5	ZD-Evo Gland Retaining Fasteners	4	FSHCS0632-075-SS	FSHCS1024-075-SS	FSHCS1024-075-SS	FSHCS1024-075-SS	FSHCS1024-075-SS	FSHCS1024-075-SS	FSHCS1024-075-SS	FHCS37516-125-SS	FHCS37516-125-SS	FHCS37516-125-SS
	ZD-Evo Inner/Outer Stationary O-Ring		WN70127	WN70137	WN70142	WN70142	WN70142	WN70153	WN70153	WN70238	WN70238	WN70238
	ZD-Evo Inner/Outer Stationary O-Ring		WE70127	WE70137	WE70142	WE70142	WE70142	WE70153	WE70153	WE70238	WE70238	WE70238
	ZD-Evo Inner/Outer Stationary O-Ring		WV70127	WV70137	WV70142	WV70142	WV70142	WV70153	WV70153	WV70238	WV70238	WV70238
	ZD-Evo Inner/Outer Stationary O-Ring		WS75127	WS75137	WS75142	WS75142	WS75142	WS75153	WS75153	WS75238	WS75238	WS75238
7	ZD-Evo Inner Stationary Seal, Silicon Carbide	2	W006FZ-00-0200	W030FZ-00-0200	W130FZ-00-0200	W130FZ-00-0200	W130FZ-00-0200	W220FZ-00-0200	W220FZ-00-0200	W320-52-0200	W320-52-0200	W320-52-0200
	ZD-Evo Inner Stationary Seal, Tungsten Carbide		W006FZ-00-0900	W030FZ-00-0900	W130FZ-00-0900	W130FZ-00-0900	W130FZ-00-0900	W220FZ-00-0900	W220FZ-00-0900	N/A	N/A	N/A
	Shaft O-Ring - Buna		WN70022	WN70028	WN70131	WN70131	WN70131	WN70144	WN70144	WN70234	WN70234	WN70234
	Shaft O-Ring - EPDM		WE70022	WE70028	WE70131	WE70131	WE70131	WE70144	WE70144	WE70234	WE70234	WE70234
	Shaft O-Ring - Viton®		WV70022	WV70028	WV70131	WV70131	WV70131	WV70144	WV70144	WV70234	WV70234	WV70234
	Shaft O-Ring - Silicone		WS75022	WS75028	WS75131	WS75131	WS75131	WS75144	WS75144	WS75234	WS75234	WS75234
9	ZD-Evo Outer Quench Bushing, PEEK	2	W006FZ-20-000P	W030FZ-20-000P	W130FZ-20-000P	W130FZ-20-000P	W130FZ-20-000P	W220FZ-20-000P	W220FZ-20-000P	N/A	N/A	N/A
11	ZD-Evo Inner Seal Wave (Coil) Spring, 17-7	2	W006FZ-12-0303	W030FZ-12-0303	W130FZ-12-0303	W130FZ-12-0303	W130FZ-12-0303	W220FZ-12-0303	W220FZ-12-0303	W320-12-0100	W320-12-0100	W320-12-0100
	ZD-Evo Outer Seal Wave (Coil) Spring, 17-7		W006FZ-12-0303	W030FZ-12-0303	W130FZ-12-0303	W130FZ-12-0303	W130FZ-12-0303	W220FZ-12-0303	W220FZ-12-0303	W320-12-0010	W320-12-0010	W320-12-0010



ZD-EVOLUTION DOUBLE SEAL



ZMT W323/383 EVOLUTION DOUBLE SEAL

Double Mechanical Seal:

Item	Description	Quantity Per Pump	ZD Evolution 006 - 018 ZMT Part No.	ZD Evolution 030 - 034 ZMT Part No.	ZD Evolution 045 ZMT Part No.	ZD Evolution 060- 064 ZMT Part No.	ZD Evolution 130-134 ZMT Part No.	ZD Evolution 180 ZMT Part No.	ZD Evolution 220 - 224 ZMT Part No.	ZD Evolution 210 ZMT Part No.	ZD Evolution 320 - 323 ZMT Part No.	ZD Evolution 380 - 383 ZMT Part No.
Double Mechanical Seal:												
1	ZD-Evo Single Seal Gland, 316SS	2	W006FZ-08-0100	W030FZ-08-0100	W045FZ-08-0100	W060FZ-08-0100	W130FZ-08-0100	W180FZ-08-0100	W220FZ-08-0100	W300-034-001	W300-034-001	W300-034-001
	ZD-Evo Gland Outer O-Ring		WN70226	WN70233	WN70236	WN70236	WN70236	WN70244	WN70244	N/A	N/A	N/A
2	ZD-Evo Gland Outer O-Ring	2	WE70226	WE70233	WE70236	WE70236	WE70236	WE70244	WE70244	W300-042-001 W300-042-002	W300-042-001 W300-042-002	W300-042-001 W300-042-002
	ZD-Evo Gland Outer O-Ring		WV70226	WV70233	WV70236	WV70236	WV70236	WV70244	WV70244	W300-042-001V W300-042-002V	W300-042-001V W300-042-002V	W300-042-001V W300-042-002V
	ZD-Evo Gland Outer O-Ring		WS75226	WS75233	WS75236	WS75236	WS75236	WS75244	WS75244	W300-042-001S W300-042-002S	W300-042-001S W300-042-002S	W300-042-001S W300-042-002S
3	ZD-Evo Inner Rotary Seal, Silicon Carbide	2	W006FZ-00-2000	W030FZ-00-2000	W060FZ-00-2000	W060FZ-00-2000	W060FZ-00-2000	W220FZ-00-2000	W220FZ-00-2000	W210FZ-00-2000	W320FZ-00-2000	W380FZ-00-2000
	ZD-Evo Inner Rotary Seal, Tungsten Carbide		W006FZ-00-9000	W030FZ-00-9000	W060FZ-00-9000	W060FZ-00-9000	W060FZ-00-9000	W220FZ-00-9000	W220FZ-00-9000	W210FZ-00-9000	W320FZ-00-9000	W380FZ-00-9000
4	ZD-Evo Inner Rotary O-Ring Seal	2	WN70134	WN70136	WN70140	WN70140	WN70140	WN70152	WN70152	WN70234	WN70234	WN70234
	ZD-Evo Inner Rotary O-Ring Seal		WE70134	WE70136	WE70140	WE70140	WE70140	WE70152	WE70152	WE70234	WE70234	WE70234
	ZD-Evo Inner Rotary O-Ring Seal		WV70134	WV70136	WV70140	WV70140	WV70140	WV70152	WV70152	WV70234	WV70234	WV70234
	ZD-Evo Inner Rotary O-Ring Seal		WS75134	WS75136	WS75140	WS75140	WS75140	WS75152	WS75152	WS75234	WS75234	WS75234
5	ZD-Evo Gland Retaining Fasteners	4	FSHCS0832-075-SS	FSHCS1024-075-SS	FSHCS1024-075-SS	FSHCS1024-075-SS	FSHCS1024-075-SS	FSHCS1024-075-SS	FSHCS1024-075-SS	FHCS37516-125-SS	FHCS37516-125-SS	FHCS37516-125-SS
6	ZD-Evo Inner/Outer Stationary O-Ring	4	WN70127	WN70137	WN70142	WN70142	WN70142	WN70153	WN70153	WN70238	WN70238	WN70238
	ZD-Evo Inner/Outer Stationary O-Ring		WE70127	WE70137	WE70142	WE70142	WE70142	WE70153	WE70153	WE70238	WE70238	WE70238
	ZD-Evo Inner/Outer Stationary O-Ring		WV70127	WV70137	WV70142	WV70142	WV70142	WV70153	WV70153	WV70238	WV70238	WV70238
	ZD-Evo Inner/Outer Stationary O-Ring		WS75127	WS75137	WS75142	WS75142	WS75142	WS75153	WS75153	WS75238	WS75238	WS75238
7	ZD-Evo Inner Stationary Seal, Silicon Carbide	2	W006FZ-00-0200	W030FZ-00-0200	W130FZ-00-0200	W130FZ-00-0200	W130FZ-00-0200	W220FZ-00-0200	W220FZ-00-0200	W320-52-0200	W320-52-0200	W320-52-0200
	ZD-Evo Inner Stationary Seal, Tungsten Carbide		W006FZ-00-0900	W030FZ-00-0900	W130FZ-00-0900	W130FZ-00-0900	W130FZ-00-0900	W220FZ-00-0900	W220FZ-00-0900	N/A	N/A	N/A
8	Shaft O-Ring - Buna	2	WN70022	WN70028	WN70131	WN70131	WN70131	WN70144	WN70144	WN70234	WN70234	WN70234
	Shaft O-Ring - EPDM		WE70022	WE70028	WE70131	WE70131	WE70131	WE70144	WE70144	WE70234	WE70234	WE70234
	Shaft O-Ring - Viton®		WV70022	WV70028	WV70131	WV70131	WV70131	WV70144	WV70144	WV70234	WV70234	WV70234
	Shaft O-Ring - Silicone		WS75022	WS75028	WS75131	WS75131	WS75131	WS75144	WS75144	WS75234	WS75234	WS75234
9	ZD-Evo Outer Stationary Seal, Carbon	2	W006FZ-00-0005	W030FZ-00-0005	W130FZ-00-0005	W130FZ-00-0005	W130FZ-00-0005	W220FZ-00-0005	W220FZ-00-0005	N/A	N/A	N/A
	ZD-Evo Outer Stationary Seal, Carbon		N/A	N/A	N/A	N/A	N/A	N/A	N/A	W323-00-0050	W323-00-0050	W323-00-0050
	ZD-Evo Outer Stationary Seal, Silicon Carbide		W006FZ-00-0020	W030FZ-00-0020	W130FZ-00-0020	W130FZ-00-0020	W130FZ-00-0020	W220FZ-00-0020	W220FZ-00-0020	W323-00-0020	W323-00-0020	W323-00-0020
11	ZD-Evo Inner Seal Wave (Coil) Spring, 17-7	4	W006FZ-12-0303	W030FZ-12-0303	W130FZ-12-0303	W130FZ-12-0303	W130FZ-12-0303	W220FZ-12-0303	W220FZ-12-0303	W320-12-0100	W320-12-0100	W320-12-0100
	ZD-Evo Outer Seal Wave (Coil) Spring, 17-7		W006FZ-12-0303	W030FZ-12-0303	W130FZ-12-0303	W130FZ-12-0303	W130FZ-12-0303	W220FZ-12-0303	W220FZ-12-0303	W320-12-0010	W320-12-0010	W320-12-0010

Viton® - Registered Trademark of DuPont Performance Elastomers.

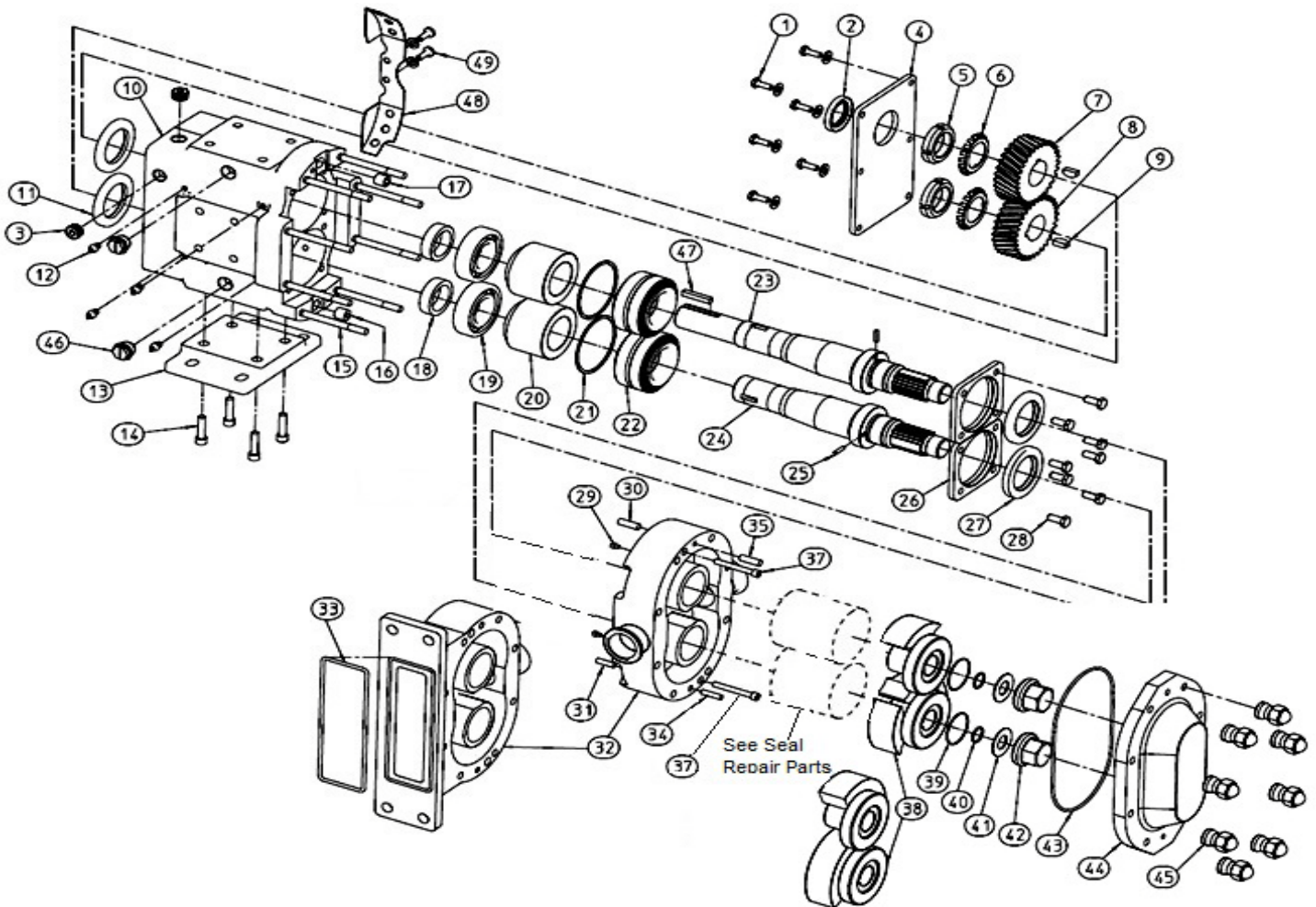
ZM Technologies, Inc. grants license to its authorized distributors to copy, modify and distribute these repair parts sheets to their customers as necessary to meet business needs.



Prices are subject to Change without notice. Ex-Works: Stockton, CA USA

Part numbers provided by ZM Technologies are standard parts or options for this model. Any modifications to part numbers or pricing made to this document are the responsibility of the authorized ZMT distributor. It is recommended that the pump serial number be provided for verification of actual part numbers required for a specific pump.

PARTS LIST - Evolution - 006, 015, 018 (fits a U1 or U2 footprint)



Item	Description	Quantity Per Pump	Reference Part No.	ZMT Part No.
1	HH Capscrew, G5Z, GBX Cover, Model 006--024	6	30-287	FHCS25020-075-G5Z
1a	Washer, GBX Cover Capscrew, Model 006--024	6	43-108	FFW250C
2	Oil Seal - Gear Case Cover	1	000030016	W000-030-016
3	Oil Plug 006-018, Gearbox	6	000046002	W000-046-002
4	Gear Case Cover, Steel (includes installed seal)	1	020106000	W020-106-000
	Gear Case Cover, SS (includes installed seal)		102280	W102280

5	Lock Nut - Gear	2	STD236005	WSTD-236-005
6	Lock Washer - Gear	2	STD136005	WSTD-136-005
7	Gear Drive Shaft	1	015007001	W015-007-001
8	Gear Short Shaft	1	015007002	W015-007-002
9	Key, Gear	2	015037000	W015-037-000
10	ZD-Evo Gear Case, CI	1	--	W102276Z
	ZD-Evo Gear Case, SS		--	W101831Z
11	Oil Seal Rear	2	000030017	W000-030-017
12	Grease Fitting 1/8	8	BD0092000	WBDO-092-000
13	ZD-Evo Mounting Shim (Gear Case Base), CI	1	--	W020Z-110-000
	ZD-Evo Mounting Shim (Gear Case Base), SS		--	W102284Z
Item	Description	Quantity Per Pump	Reference Part No.	ZMT Part No.
14	SH Capscrew, G8Z, Mount/Base, Model 006-024	4	30-343	FSHCS31318-100-G8Z
15	Stud	8	AD0011000	WAD0-011-000
	Stud Jacketed Cover		AD0011J00	WAD0-011-J00
	Stud	8	018011000	W018-011-000
	Stud Jacketed Cover		AD0011100	WAD0-011-100
	Stud	6	018011000	W018-011-000
	Short Stud, Std Cover - 024-U1	2	35547	W35547
	Stud Jacketed Cover	6	AD0011100	WAD0-011-100
	Stud, Jacketed Cover, U1-018	2	35548	W35548
16	Dowel Bushing, Lower	1	AD0116100	WAD0-116-100
17	Dowel Bushing, Upper	1	AD0116000	WAD0-116-000
18	Spacer Gear to Rear Bearing	2	015055000	W015-055-000
19	Rear Bearing	2	015035000	W015-035-000
20	Spacer Bearing	2	101814	W101814
21	006 - 024 Shim Kit	2	117889	W117889
22	Front Bearing	2	101714	W101714
23	Drive Shaft (316L SS) Model 006, 015 ZD-Evo	1	--	W114642Z
	Drive Shaft (316L SS) Model 018 ZD-Evo		--	W114644Z
24	Idle Shaft (316L SS) Model 006, 015 ZD-Evo	1	--	W114643Z
	Idle Shaft (316L SS) Model 018 ZD-Evo		--	W114645Z
25	Drive Pin	2	CD0126000	WCD0-126-000
26	Bearing Retainer Front	2	120332	W120332
27	Grease Seal Front Brg Ret	2	121679	W121679
28	BH Capscrew, SS, Brg Ret, Model 006--024	8	30-58	FBHCS25020-075-SS
29	Stop Pin Seal	2	015126000	W015-126-000
30	Dowel Pin, Upper Gear Case Side	1	AD0040R00	WAD0-040-R00
31	Dowel Pin, Lower Gear Case Side	1	AD0040R10	WAD0-040-R10
32	Pump Body - 006 ZD-Evo	1	--	W006Z-001-010
	Pump Body - 015 ZD-Evo		--	W015Z-001-010
	Pump Body - 018 ZD-Evo		--	W018Z-001-010
33	Rectangular Flange O-Ring - Buna	1	N70245	WN70245
34	Dowel (lower cover)	1	AD0040100	WAD0-040-100
35	Dowel (upper cover)	1	AD0040000	WAD0-040-000
37	SH Capscrew, SS, Body Retaining, Model 006--015	2	30-523	FSHCS25020-125-SS

	SH Capscrew, SS, Body Retaining, Model 018--030		30-211	FSHCS25020-200-SS
38	Rotor Twin Blade - #W88 Alloy - Model 006 ZD-Evo	2	006010000	W006Z-010-000
	Rotor Twin Blade - #W88 Alloy - Model 015 ZD-Evo		015010000	W015Z-010-000
	Rotor Twin Blade - #W88 Alloy - Model 018 ZD-Evo		018010000	W018Z-010-000
Item	Description	Quantity Per Pump	Reference Part No.	ZMT Part No.
39	Rotor Nut O-Ring - Buna	2	N70126	WN70126
	Rotor Nut O-Ring - EPDM		E70126	WE70126
	Rotor Nut O-Ring - Viton®		V70126	WV70126
40	Retainer O-Ring - Buna	2	N70112	WN70112
	Retainer O-Ring - EPDM		E70112	WE70112
	Retainer O-Ring - Viton®		V70112	WV70112
41	Washer, Belleville	2	101691	W101691
42	Rotor Nut	2	101804	W101804
43	Cover O-Ring - Buna	1	N70249	WN70249
	Cover O-Ring - EPDM		E70249	WE70249
	Cover O-Ring - Viton®		V70249	WV70249
44	ZD-Evo Pump Cover	1	--	WAD0Z-002-S00
45	Hex Nut	8	108369	W108369
	Wing Nut		105850	W105850
46	Large Cleanout Plug	4	--	W35824
47	Drive Shaft Key, 3/16 X 3/16 X 1 1/8	1	000037001	W000-037-001
	O-Ring Removal Tool		AD0096001	WAD0-096-001
	Chevron RPM Universal Gear Oil SAE 85W-140		000140003	W000-140-003
	Grease, Chevron Ultra-Duty EP 2 NLGI, 14 oz. Cartridge		000140002	W000-140-002
	Sealant RTV		000142301	W000-142-301
	Grease Fitting Cap, Yellow Plastic	8	BD0093000	WBD0-93-000
	Plastic Cap Tapped Holes, Mounting Pad	12	000121003	W000-121-003
	Eye Bolt	2	30-360	W30-360

Viton® - Registered Trademark of DuPont Performance Elastomers.

ZM Technologies, Inc. grants license to its authorized distributors to copy, modify and distribute these repair parts sheets to their customers as necessary to

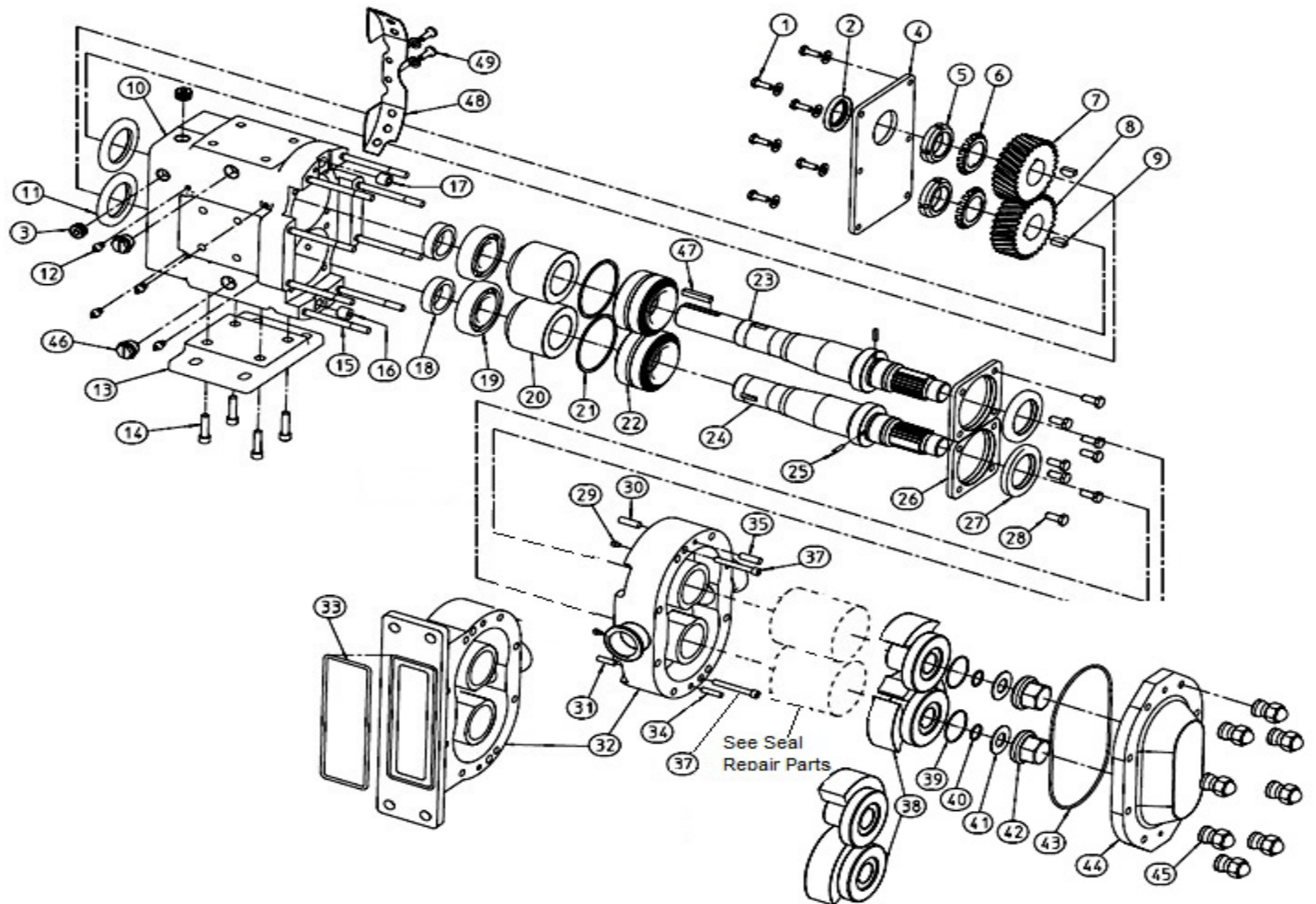


[Back to Index](#)

Prices are subject to Change without notice. Ex-Works: Stockton, CA USA

Part numbers provided by ZM Technologies are standard parts or options for this model. Any modifications to part numbers or pricing made to this document are the responsibility of the authorized ZMT distributor. It is recommended that the pump serial number be provided for verification of actual part numbers required for a specific pump.

PARTS LIST - Evolution - 030, 034 (fits a U1 or U2 footprint)



Item	Description	Quantity Per Pump	Reference Part No.	ZMT Pump Part No.
1	HH Capscrew, G5Z, GBX Cover, Model 030-034	6	30-283	FHCS31318-075-G5Z
1a	Washer, GBX Cover Capscrew, Model 030-034	6	43-194	FFW313C
2	Oil Seal - Gear Case Cover	1	000030013	W000-030-013
3	Oil Plug 030-523, Gearbox	6	000046004	W000-046-004
4	Gear Case Cover, Steel (includes installed seal)	1	040106000	W040-106-000
	Gear Case Cover, SS (includes installed seal)		102281	W102281

5	Lock Nut - Gear	2	CD0036N00	WCD0-036-N00
6	Lock Washer - Gear	2	CD0036W00	WCD0-036-W00
7	Gear Drive Shaft	1	030007001	W030-007-001
8	Gear Short Shaft	1	030007002	W030-007-002
9	Key, Gear	2	015037000	W015-037-000
10	ZD-Evo Gear Case, CI	1	--	W102276Z
	ZD-Evo Gear Case, SS		--	W101833Z
11	Oil Seal Rear	2	000030017	W000-030-017
12	Grease Fitting 1/8	8	BD0092000	WBD0-092-000
13	Mounting Shim (Gear Case Base), CI	1	040110000	W040-110-000
	Mounting Shim (Gear Case Base), SS		102285	W102285
14	SH Capscrew, G8Z, Mount/Base, Model 030-034	4	30-344	FSHCS37516-100-G8Z
Item	Description	Quantity Per Pump	Reference Part No.	ZMT Pump Part No.
15	Stud	8	108842	W108842
	Stud Jacketed Cover		108845	W108845
	Stud	6	108842	W108842
	Stud, Short, U1-034	2	35555	W35555
	Stud Jacketed Cover	6	108845	W108845
	Stud, Short, Jacketed Cover, U1-034	2	35549	W35549
16	Dowel Bushing, Lower	1	BD0116100	WBD0-116-100
17	Dowel Bushing, Upper	1	BD0116000	WBD0-116-000
18	Spacer Gear to Rear Bearing	2	030055000	W030-055-000
19	Rear Bearing	2	030035000	W030-035-000
20	Spacer Bearing	2	101815	W101815
21	030 - 034 Shim Kit	2	-----	W117890
22	Front Bearing	2	101715	W101715
23	Drive Shaft (17-4PH) Model 030, 034 ZD-Evo	1	114779	W114779Z
24	Idle Shaft (17-4PH) Model 030, 034 ZD-Evo	1	---	W114780Z
25	Drive Pin	2	CD0126000	WCD0-126-000
26	Bearing Retainer Front	2	120333	W120333
27	Grease Seal Front Brg Ret	2	121680	W121680
28	BH Capscrew, SS, Brg Ret, Model 030-034	8	30-29	FBHCS31318-075-SS
29	Stop Pin Seal	2	030126000	W030-126-000
30	Dowel Pin, Upper Gear Case Side	1	BD0040200	WBD0-040-200
31	Dowel Pin, Lower Gear Case Side	1	BD0040300	WBD0-040-300
32	Pump Body - 030 ZD-Evo	1	--	W030Z-001-010
	Pump Body - 034 ZD-Evo		--	W034Z-001-010
33	Rectangular Flange O-Ring - Buna	1	N70357	WN70357
35	Dowel Pin, Upper Cover Side	1	BD0040000	WBD0-040-000
34	Dowel Pin, Lower Cover Side	1	BD0040100	WBD0-040-100
37	SH Capscrew, SS, Body Retaining, Model 018--030	2	30-211	FSHCS25020-200-SS
38	Rotor Twin Blade - #W88 Alloy - Model 030 U1	2	030010000	W030-010-000
	Single Blade Rotor - #W88 Alloy - 90° - 030 U1	1	117291	W117291
35	Dowel (upper cover)	1	AD0040000	WAD0-040-000
38	Rotor Twin Blade - #W88 Alloy - Model 030 ZD-Evo	2	030010000	W030Z-010-000
	Single Blade Rotor - #W88 Alloy - 90° - 030 ZD-Evo		--	W117291Z

Item	Description	Quantity Per Pump	Reference Part No.	ZMT Part No.
36	Rotor Hub O-Ring/ZD-Evo Inner/Outer Stationary O-Ring - Bu	2	N70127	WN70127
	Rotor Hub O-Ring/ZD-Evo Inner/Outer Stationary O-Ring - EP		E70127	WE70127
	Rotor Hub O-Ring/ZD-Evo Inner/Outer Stationary O-Ring - Vit		V70127	WV70127
37	SH Capscrew, SS, Body Retaining, Model 018--030	2	30-211	FSHCS25020-200-SS
38	Rotor Twin Blade - #W88 Alloy - Model 030 U2	2	102151	W030U2-010-000
	Rotor Nut O-Ring - Buna		N70130	WN70130
39	Rotor Nut O-Ring - EPDM	2	E70130	WE70130
	Rotor Nut O-Ring - Viton®		V70130	WV70130
40	Retainer O-Ring - Buna	2	N70115	WN70115
	Retainer O-Ring - EPDM		E70115	WE70115
	Retainer O-Ring - Viton®		V70115	WV70115
41	Washer, Belleville	2	101692	W101692
42	Rotor Nut	2	101805	W101805
43	Cover O-Ring - Buna	1	N70259	WN70259
	Cover O-Ring - EPDM		E70259	WE70259
	Cover O-Ring - Viton®		V70259	WV70259
44	ZD-Evo Pump Cover	1	--	WBD0Z-002-S00
45	Hex Nut	8	108370	W108370
	Wing Nut		105851	W105851
46	Large Cleanout Plug	4	--	W41013
47	Drive Shaft Key, 1/4 X 1/4 X 1 3/4	1	000037002	W000-037-002
	O-Ring Removal Tool		AD0096001	WAD0-096-001
	Chevron RPM Universal Gear Oil SAE 85W-140		000140003	W000-140-003
	Grease, Chevron Ultra-Duty EP 2 NLGI, 14 oz. Cartridge		000140002	W000-140-002
	Sealant RTV		000142301	W000-142-301
	Grease Fitting Cap, Yellow Plastic	8	BD0093000	WBD0-93-000
	Plastic Cap Tapped Holes, Mounting Pad	12	000121002	W000-121-002
	Eye Bolt	2	30-360	W30-360

Viton® - Registered Trademark of DuPont Performance Elastomers.

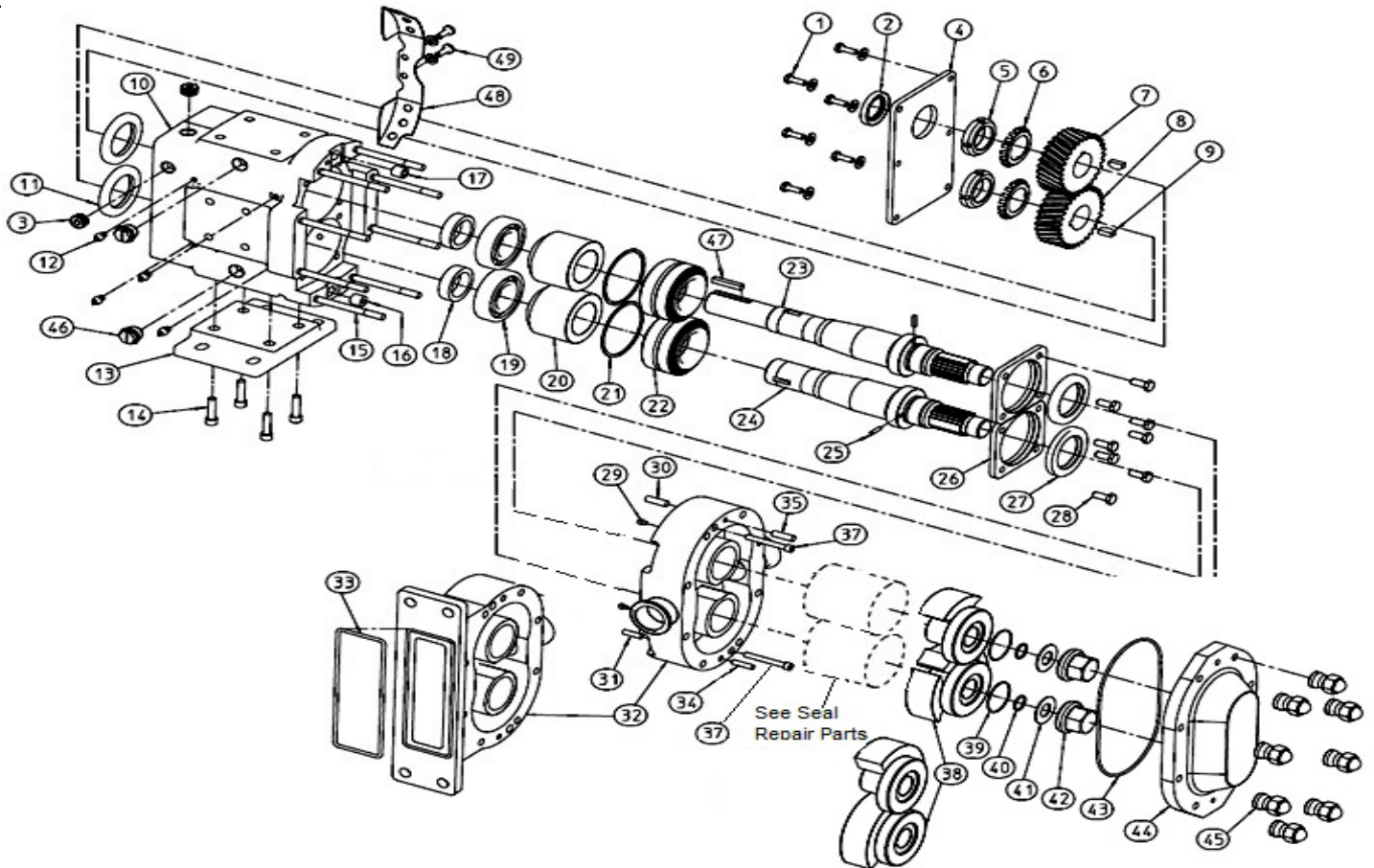
ZM Technologies, Inc. grants license to its authorized distributors to copy, modify and distribute these repair parts sheets to their customers as necessary to meet business needs.



Prices are subject to Change without notice. Ex-Works: Stockton, CA USA

Part numbers provided by ZM Technologies are standard parts or options for this model. Any modifications to part numbers or pricing made to this document are the responsibility of the authorized ZMT distributor. It is recommended that the pump serial number be provided for verification of actual part numbers required for a specific pump.

PARTS LIST - Evolution - 045, 060, 064, 130, 134 (fits a U1 or U2



Item	Description	Quantity Per Pump	Reference Part No.	ZMT Part No.
1	HH Capscrew, G5Z, GBX Cover, Model 060--324	6	30-314	FHCS37516-075-G5Z
1a	Washer, GBX Cover Capscrew, Model 060--324	6	43-189	FFW375C
2	Oil Seal - Gear Case Cover	1	000030012	W000-030-012
3	Oil Plug 030-523, Gearbox	6	000046004	W000-046-004
4	Gear Case Cover, Steel (includes installed seal)	1	070106000	W070-106-000
	Gear Case Cover, SS (includes installed seal)		102282	W102282
5	Lock Nut - Gear	2	STD236009	WSTD-236-009
6	Lock Washer - Gear	2	STD136009	WSTD-136-009
7	Gear Drive Shaft	1	060007001	W060-007-001
8	Gear Short Shaft	1	060007002	W060-007-002

9	Key, Gear	2	060037000	W060-037-000
10	ZD-Evo Gear Case, CI	1	--	W070Z-005-000
	ZD-Evo Gear Case, SS		--	W101834Z
11	Oil Seal Rear	2	000030011	W000-030-011
12	Grease Fitting 1/8	8	BD0092000	WBD0-092-000
13	ZD-Evo Mounting Shim (Gear Case Base), CI	1	--	W070Z-110-000
	ZD-Evo Mounting Shim (Gear Case Base), SS		--	W102286Z
14	SH Capscrew, G8Z, Mount/Base, Model 060--134	4	30-275	FSHCS50013-125-G8Z
Item	Description	Quantity Per Pump	Reference Part No.	ZMT Part No.
15	Stud	8	108843	W108843
	Stud	6	108843	W108843
	Stud, Short, U1-064	2	0C1050000	W0C1-050-000
	Stud Jacketed Cover	8	108846	W108846
	Stud Jacketed Cover	6	108846	W108846
	Stud, Short, Jacketed, U1-064	2	35556	W35556
	Stud	8	130011000	W130-011-000
	Stud	6	130011000	W130-011-000
	Stud, Short, U1-064	2	0C1050000	W0C1-050-000
	Stud Jacketed Cover	8	130011001	W130-011-001
	Stud Jacketed Cover	6	130011001	W130-011-001
	Stud, Short, Jacketed, U1-064	2	35556	W35556
16	Dowel Bushing, Lower	1	CD0116100	WCD0-116-100
17	Dowel Bushing, Upper	1	CD0116000	WCD0-116-000
21	045 - 134 Shim Kit	2	117891	W117891
18	Spacer Gear to Rear Bearing	2	107187	W107187
19	Rear Bearing	2	107186	W107186
20	Spacer Bearing	2	060055003	W060-055-003
22	Front Bearing	2	060036000	W060-036-000
23	Drive Shaft (17-4PH) Model 045 ZD-Evo	1	--	W045Z-008-001
	Drive Shaft (17-4PH) Model 060, 064 ZD-Evo		35145 / 060008001	W060Z-008-001
	Drive Shaft (17-4PH) Model 130, 134 ZD-Evo		--	W130Z-008-001
24	Idle Shaft (17-4PH) Model 045 ZD-Evo	1	--	W045Z-009-001
	Idle Shaft (17-4PH) Model 060, 064 ZD-Evo		35146 / 060009001	W060Z-009-001
	Idle Shaft (17-4PH) Model 130, 134 ZD-Evo		--	W130Z-009-001
25	Drive Pin	2	CD0126000	WCD0-126-000
26*	Bearing Retainer Front	2	121828	W121828
27	Grease Seal Front Brg Ret	2	000030009	W000-030-009
28	BH Capscrew, SS, Brg Ret, Model 060--324	8	30-60	FBHCS37516-125-SS
29	Stop Pin Seal	2	223126000	W223-126-000
30	Dowel Pin, Upper Gear Case Side	1	CD0040R00	WCD0-040-R00
31	Dowel Pin, Lower Gear Case Side	1	CD0040R10	WCD0-040-R10
32	Pump Body - 045 ZD-Evo	1	--	W045Z-001-010
	Pump Body - 060 ZD-Evo		--	W060Z-001-010
	Pump Body - 064 ZD-Evo		--	W064Z-001-010
	Pump Body - 130 ZD-Evo		--	W130Z-001-010
	Pump Body - 134 ZD-Evo		--	W134Z-001-010
33	Rectangular Flange O-Ring - Buna (Model 064)	1	N70366	WN70366
	Rectangular Flange O-Ring - Buna (Model 134)		N70369	WN70369

34	Dowel Pin, Upper Cover Side	1	CD0040000	WCD0-040-000
35	Dowel Pin, Lower Cover Side	1	CD0040100	WCD0-040-100
Item	Description	Quantity Per Pump	Reference Part No.	ZMT Part No.
37	SH Capscrew, SS, Body Retaining, Model 045 U2	2	30-615	FSHCS31318-250-SS
	SH Capscrew, SS, Body Retaining, Model 060-064		30-319	FSHCS31318-325-SS
	SH Capscrew, SS, Body Retaining, Model 130-134		30-423	FSHCS31318-400-SS
36	Rotor Hub O-Ring - Buna	2	N70224	WN70224
	Rotor Hub O-Ring - EPDM		E70224	WE70224
	Rotor Hub O-Ring - Viton®		V70224	WV70224
38	Rotor Twin Blade - #W88 Alloy - Model 045 ZD-Evo	2	-----	W045Z-010-000
	Rotor Twin Blade - #W88 Alloy - Model 060 ZD-Evo		060010000	W060Z-010-000
	Rotor Twin Blade - #W88 Alloy - Model 130 ZD-Evo		130010000	W130Z-010-000
	Single Blade Rotor - #W88 Alloy - 90° - 060 ZD-Evo		---	W117343Z
	Single Blade Rotor - #W88 Alloy - 90° - 130 ZD-Evo		---	W117360Z
39	Rotor Nut O-Ring - Buna	2	N70227	WN70227
	Rotor Nut O-Ring - EPDM		E70227	WE70227
	Rotor Nut O-Ring - Viton®		V70227	WV70227
40	Retainer O-Ring - Buna	2	N70119	WN70119
	Retainer O-Ring - EPDM		E70119	WE70119
	Retainer O-Ring - Viton®		V70119	WV70119
41	Washer, Belleville	2	101693	W101693
42	Rotor Nut	2	101806	W101806
43	Cover O-Ring - Buna	1	N70373	WN70373
	Cover O-Ring - EPDM		E70373	WE70373
	Cover O-Ring - Viton®		V70373	WV70373
44	ZD-Evo Pump Cover	1	--	WCD0Z-002-S00
45	Hex Nut	8	108371	W108371
	Wing Nut		105852	W105852
46	Large Cleanout Plug	4	--	W41013
47	Drive Shaft Key, 3/8 X 3/8 X 1 5/8	1	000037003	W000-037-003
Item	Description	Quantity Per Pump	Reference Part No.	ZMT Part No.
	O-Ring Removal Tool		AD0096001	WAD0-096-001
	Chevron RPM Universal Gear Oil SAE 85W-140		000140003	W000-140-003
	Grease, Chevron Ultra-Duty EP 2 NLGI, 14 oz. Cartridge		000140002	W000-140-002
	Sealant RTV		000142301	W000-142-301
	Grease Fitting Cap, Yellow Plastic	8	BD0093000	WBD0-93-000
	Plastic Cap Tapped Holes, Mounting Pad	12	000121001	W000-121-001
	Eye Bolt	2	30-360	W30-360

Viton® - Registered Trademark of DuPont Performance Elastomers.

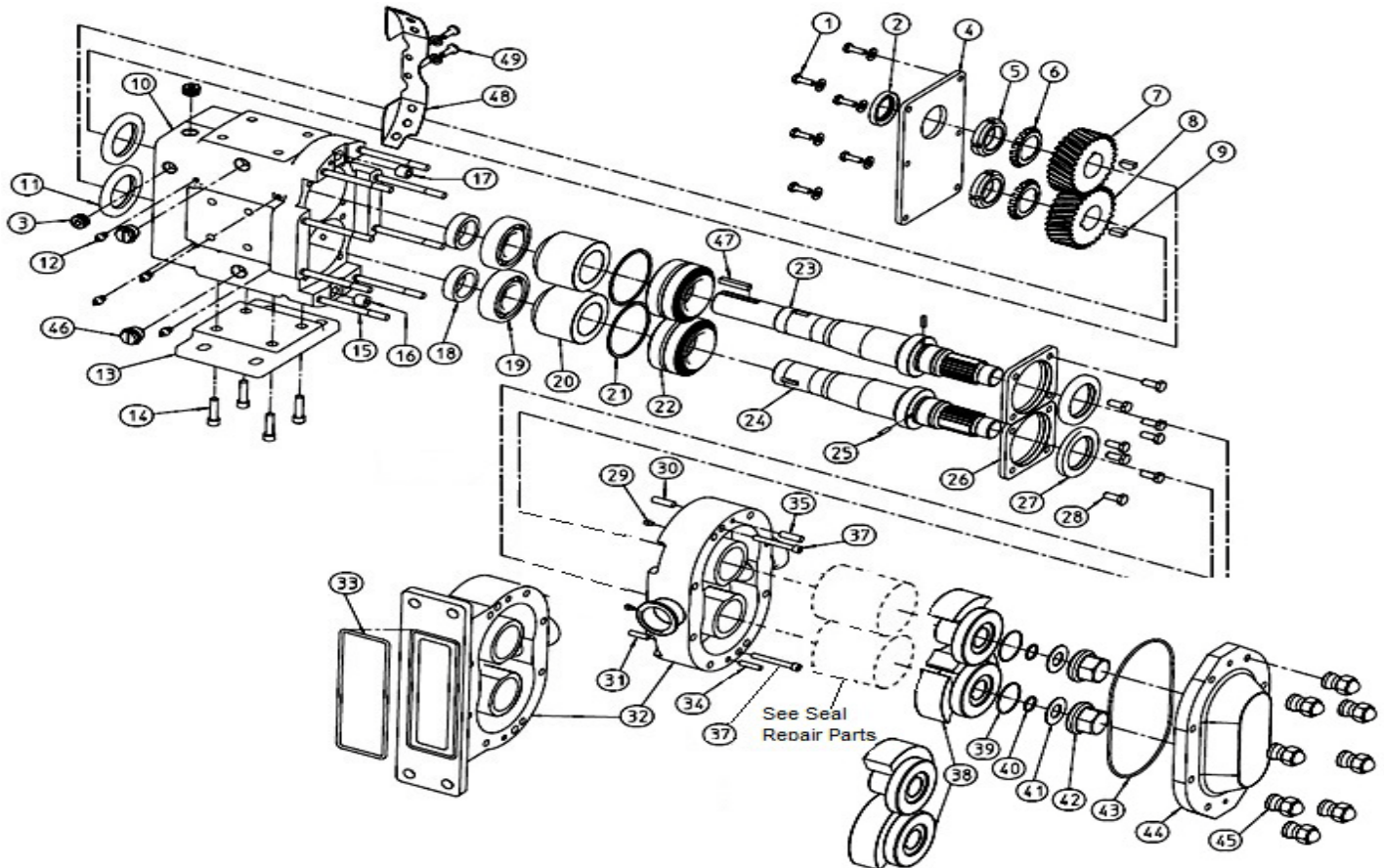
ZM Technologies, Inc. grants license to its authorized distributors to copy, modify and distribute these repair parts sheets to their customers as necessary to meet business needs.


[Back to Index](#)

Prices are subject to Change without notice. Ex-Works: Stockton, CA USA

Part numbers provided by ZM Technologies are standard parts or options for this model. Any modifications to part numbers or pricing made to this document are the responsibility of the authorized ZMT distributor. It is recommended that the pump serial number be provided for verification of actual part numbers required for a specific pump.

PARTS LIST - Evolution - 180, 220, 224 (fits a U1 or U2 footprint)



Item	Description	Quantity Per Pump	Reference Part No.	ZMT Part No.
1	HH Capscrew, G5Z, GBX Cover, Model 060--324	6	30-314	FHCS37516-075-G5Z
1a	Washer, GBX Cover Capscrew, Model 060--324	6	43-189	FFW375C
2	Oil Seal - Gear Case Cover	1	STD030006	WSTD-030-006
3	Oil Plug 030-523, Gearbox	6	000046004	W000-046-004
4	Gear Case Cover, Steel (includes installed seal)	1	230106000	W230-106-000
5	Lock Nut - Gear	2	STD236011	WSTD-236-011
6	Lock Washer - Gear	2	STD136011	WSTD-136-011
7	Gear Drive Shaft	1	200007001	W200-007-001
8	Gear Short Shaft	1	200007002	W200-007-002
9	Key, Gear	2	200037000	W200-037-000
10	ZD-Evo Gear Case, CI	1	--	W230Z-005-000

	ZD-Evo Gear Case, SS		--	W101835Z
11	Oil Seal Rear	2	STD119002	WSTD-119-002
12	Grease Fitting 1/8	8	BD0092000	WBDO-092-000
13	ZD-Evo Mounting Shim (Gear Case Base), CI	1	--	W230Z-110-000
	ZD-Evo Mounting Shim (Gear Case Base), SS		--	W102287Z
14	SH Capscrew, G8Z, Mount/Base, Model 220-224	4	30-111	FSHCS50013-200-G8Z
15	Stud	8	108844	W108844
Item	Description	Quantity Per Pump	Reference Part No.	ZMT Part No.
15	Stud	8	108844	W108844
	Stud	6	108844	W108844
	Stud, Short, U1-224	2	35550	W35550
16	Dowel Bushing, Lower	1	CD0116100	WCD0-116-100
17	Dowel Bushing, Upper	1	CD0116000	WCD0-116-000
18	Spacer Gear to Rear Bearing	2	40878	W40878
19	Rear Bearing	2	200035000	W200-035-000
20	Spacer Bearing	2	40752	W40752
21	180 - 224 Shim Kit	2	117892	W117892
22	Front Bearing	2	200036000	W200-036-000
23	Drive Shaft (17-4PH) Model 180, 184 ZD-Evo	1	--	W180Z-008-001
	Drive Shaft (17-4PH) Model 220, 224 ZD-Evo		--	W220Z-008-001
24	Idle Shaft (17-4PH) Model 180, 184 ZD-Evo	1	--	W180Z-009-001
	Idle Shaft (17-4PH) Model 220, 224 ZD-Evo		--	W220Z-009-001
25	Drive Pin	2	CD0126000	WCD0-126-000
26	Bearing Retainer Front	2	121829	W121829
27	Grease Seal Front Brg Ret	2	121681	W121681
28	BH Capscrew, SS, Brg Ret, Model 060--324	8	30-60	FBHCS37516-125-SS
29	Stop Pin Seal	2	223126000	W223-126-000
30	Dowel Pin, Upper Gear Case Side	1	CD0040R00	WCD0-040-R00
31	Dowel Pin, Lower Gear Case Side	1	CD0040R10	WCD0-040-R10
32	Pump Body - 180 ZD-Evo	1	--	W180Z-001-010
	Pump Body - 184 ZD-Evo		--	W184Z-001-010
	Pump Body - 220 ZD-Evo		--	W220Z-001-010
	Pump Body - 224 ZD-Evo		--	W224Z-001-010
33	Rectangular Flange O-Ring - Buna	1	N70376	WN70376
34	Dowel Pin, Upper Cover Side	1	GD0040000	WGD0-040-000
35	Dowel Pin, Lower Cover Side	1	GD0040100	WGD0-040-100
Item	Description	Quantity Per Pump	Reference Part No.	ZMT Part No.
36	Rotor Hub O-Ring - Buna	2	N70230	WN70230
	Rotor Hub O-Ring - EPDM		E70230	WE70230
	Rotor Hub O-Ring - Viton®		V70230	WV70230
37	SH Capscrew, SS, Body Retaining, Model 180/320/323	2	30-323	FSHCS37516-400-SS
	SH Capscrew, SS, Body Retaining, Model 220/380		30-499	FSHCS37516-450-SS
38	Rotor Twin Blade - #W88 Alloy - Model 180 ZD-Evo	2	---	W180Z-010-000
	Rotor Twin Blade - #W88 Alloy - Model 220 ZD-Evo		220010000	W220Z-010-000
	Single Blade Rotor - #W88 Alloy - 90° - 220 ZD-Evo		---	W117391Z
39	Rotor Nut O-Ring - Buna	2	N70235	WN70235
	Rotor Nut O-Ring - EPDM		E70235	WE70235
	Rotor Nut O-Ring - Viton®		V70235	WV70235

40	Retainer O-Ring - Buna	2	N70122	WN70122
	Retainer O-Ring - EPDM		E70122	WE70122
	Retainer O-Ring - Viton®		V70122	WV70122
41	Washer, Belleville	2	101694	W101694
42	Rotor Nut	2	101807	W101807
43	Cover O-Ring - Buna	1	N70381	WN70381
	Cover O-Ring - EPDM		E70381	WE70381
	Cover O-Ring - Viton®		V70381	WV70381
44	ZD-Evo Pump Cover	1	--	WGD0Z-002-S00
45	Hex Nut	8	108372	W108372
	Wing Nut		105853	W105853
46	Large Cleanout Plug	4	--	W41013
47	Drive Shaft Key, 1/2 X 1/2 X 1 7/8	1	000037004	W000-037-004
	O-Ring Removal Tool		AD0096001	WAD0-096-001
	Chevron RPM Universal Gear Oil SAE 85W-140		000140003	W000-140-003
	Grease, Chevron Ultra-Duty EP 2 NLGI, 14 oz. Cartridge		000140002	W000-140-002
	Sealant RTV		000142301	W000-142-301
	Plastic Cap Tapped Holes, Mounting Pad	10	000121001	W000-121-001
	Eye Bolt	2	30-360	W30-360

Viton® - Registered Trademark of DuPont Performance Elastomers.

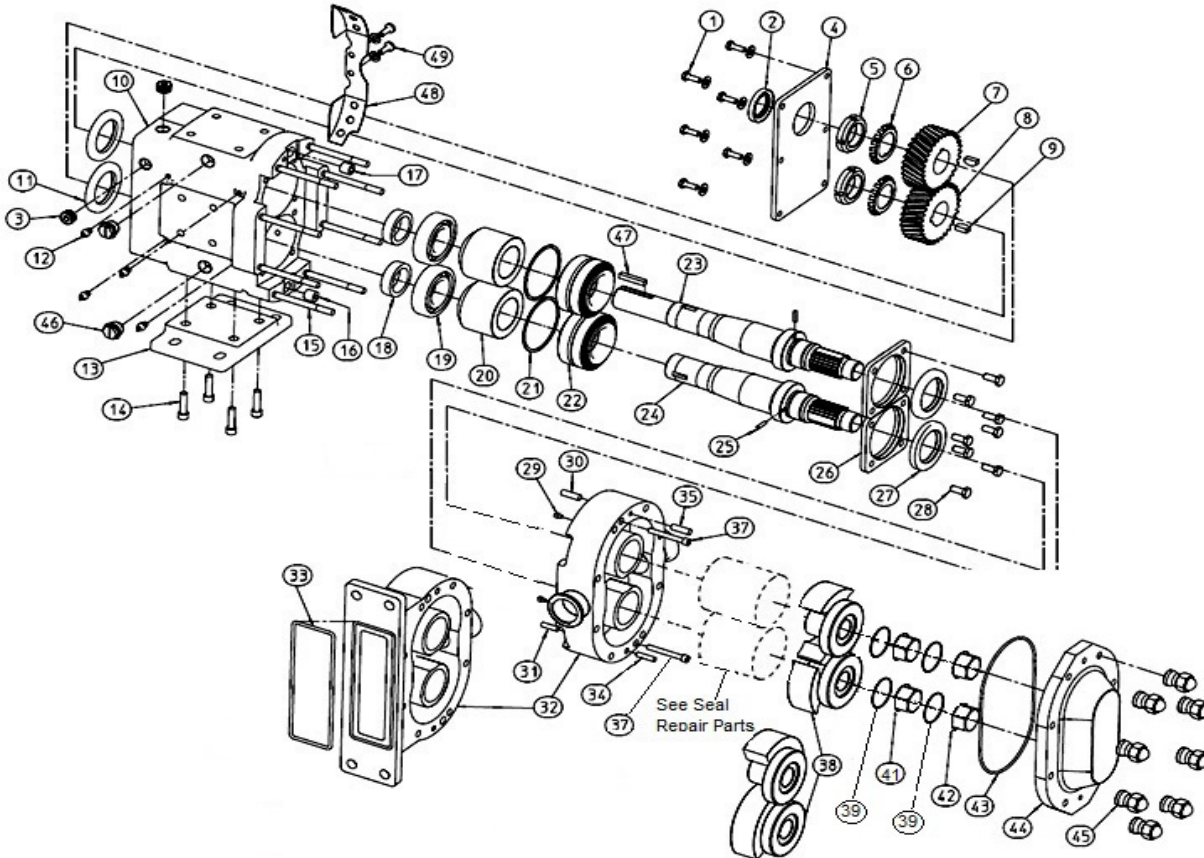
ZM Technologies, Inc. grants license to its authorized distributors to copy, modify and distribute these repair parts sheets to their customers as necessary to meet business needs.


[Back to Index](#)

Prices are subject to Change without notice. Ex-Works: Stockton, CA USA

Part numbers provided by ZM Technologies are standard parts or options for this model. Any modifications to part numbers or pricing made to this document are the responsibility of the authorized ZMT distributor. It is recommended that the pump serial number be provided for verification of actual part numbers required for a specific pump.

PARTS LIST - Evolution - 210, 320, 323+, 380, 383 (fits a U1 or U2 footprint)



Item	Description	Quantity Per Pump	Reference Part No.	ZMT Part No.
1	HH Capscrew, G5Z, GBX Cover, Model 060--324	6	30-314	FHCS37516-075-G5Z
1a	Washer, GBX Cover Capscrew, Model 060--324	6	43-189	FFW375C
2	Oil Seal - Gear Case Cover	1	STD030006	WSTD-030-006
3	Oil Plug 030-523, Gearbox	6	000046004	W000-046-004
4	Gear Case Cover, Steel (includes installed seal)	1	40669	W40669
5	Lock Nut - Gear	2	105697	W105697
6	Lock Washer - Gear	2	STD136005	WSTD-136-005
7	Gear Drive Shaft	1	102470	W102470
8	Gear Drive Shaft	1	102470	W102470
9	Key, Gear	2	0H1037000	W0H1-037-000
10	ZD-Evo Gear Case, CI	1	--	W40616Z
11	Oil Seal Rear	2	102475	W102475
12	Grease Fitting 1/8	8	BD0092000	WBD0-092-000

13	ZD-Evo Mounting Shim (Gear Case Base), CI	1	--	W40288Z
14	SH Capscrew, G8Z, Mount/Base, Model 320-323	4	30-250	FSHCS50013-175-G8Z
15	Stud, Cover, Long	4	111291	W111291
16	Dowel Bushing, Gearcase	2	0H1116000	W0H1-116-000
18	Spacer Gear to Rear Bearing	2	102474	W102474
19	Rear Bearing	2	0H1036000	W0H1-036-000
20	320 front Bearing Spacer	2	102472	W102472
21	210 - 324 Shim Kit	2	117893	W117893
22	Front Bearing	2	0H1036003	W0H1-036-003
23	Drive Shaft (17-4PH) Model 320, 323+, 324 ZD-Evo	1	--	W320Z-008-001
	Drive Shaft (17-4PH) Model 380, 383 ZD-Evo		--	W380Z-008-001
24	Idle Shaft (17-4PH) Model 320, 323+, 324 ZD-Evo	1	--	W320Z-009-001
	Idle Shaft (17-4PH) Model 380, 383 ZD-Evo		--	W380Z-009-001
26	Bearing Retainer Front	2	123533	W123533
27	Grease Seal Front Brg Ret	2	121681	W121681
28	BH Capscrew, SS, Brg Ret, Model 060--324	8	30-60	FBHCS37516-125-SS
29	HH Capscrew, SS, Gland, Model 320-324	8	30-60	FHCS37516-125-SS
29a	Lock Washer, Gland, Model 320-324	8	43-28	FLW-375-SS
30	Seal Gland, No Flush	2	300034003	W300-034-003
	Seal Gland, W/Flush Holes		300034001	W300-034-001
31	Dowel Pin, Gear Case Side	2	--	W320-004-R00
32	Pump Body - 320 ZD-Evo	1	--	W320Z-001-010
	Pump Body - 323+ ZD-Evo		--	W323Z-001-010
	Pump Body - 380 ZD-Evo		--	W380Z-001-010
	Pump Body - 383 ZD-Evo		--	W383Z-001-010
34	Stud, Cover, Short	4	111292	W111292
35	Dowel Pin, Cover Side	2	--	W320-004-000
Item	Description	Quantity Per Pump	Reference Part No.	ZMT Part No.
37	SH Capscrew, SS, Body Retaining, Model 180/320/323	2	30-323	FSHCS37516-400-SS
38	Rotor Twin Blade - #W88 Alloy - Model 320 U1, 323+ ZD-Evo	2	320010000	W320-010-000
	Rotor Twin Blade - #W88 Alloy - Model 380, 383 ZD-Evo		320010000	W380Z-010-000
39	Inner Seal O-Ring - Buna	2	N70234	WN70234
	Inner Seal O-Ring - EPDM		E70234	WE70234
	Inner Seal O-Ring - Viton®		V70234	WV70234
41	Rotor Nut, Inner - Evolution 320, 323+, 380, 383	2	---	W105409Z-N
42	Rotor Nut, Outer - Evolution 320, 323+, 380, 383	2	---	W105409Z-T
43	Cover O-Ring - Buna	1	N70280	WN70280
	Cover Gasket O-Ring - Silicone		323117013	W323-117-013
	Cover O-Ring - Viton®		V70280	WV70280
	Cover O-Ring - EPDM		E70280	WE70280
44	ZD-Evo Pump Cover	1	--	W320Z-002-002
	ZD-Evo Pump Cover		--	W323Z-002-002
45	Hex Nut (optional)	8	108373	W108373
46	Large Cleanout Plug		--	W41013
47	Drive Shaft Key, 5/8 X 5/8 X 2 3/4		000037005	W000-037-005
Item	Description	Quantity Per Pump	Reference Part No.	ZMT Part No.
	O-Ring Removal Tool		AD0096001	WAD0-096-001
	Chevron RPM Universal Gear Oil SAE 85W-140		000140003	W000-140-003
	Grease, Chevron Ultra-Duty EP 2 NLGI, 14 oz. Cartridge		000140002	W000-140-002
	Sealant RTV		000142301	W000-142-301

	Grease Fitting Cap, Yellow Plastic	8	BD0093000	WBD0-93-000
	Plastic Cap Tapped Holes, Mounting Pad	10	000121001	W000-121-001
	Eye Bolt	3	30-360	W30-360

Viton® - Registered Trademark of DuPont Performance Elastomers.

ZM Technologies, Inc. grants license to its authorized distributors to copy, modify and distribute these repair parts sheets to their customers as necessary to meet business needs.