

Zero **M**aintenance™ **Seals**

Products For Today's Budget and Today's Environment



ZA Single Seal

NO WATER FLUSH



Longer Life

Better Lubrication

No Stuffing Box

Simple

Think **Outside the Box**



Contact us at
zmtech@zmtech.com

See us at
www.zmtech.com

1010 Shaw Road, Stockton, CA 95215 • (209) 547-1965 • FAX (209) 464-8140

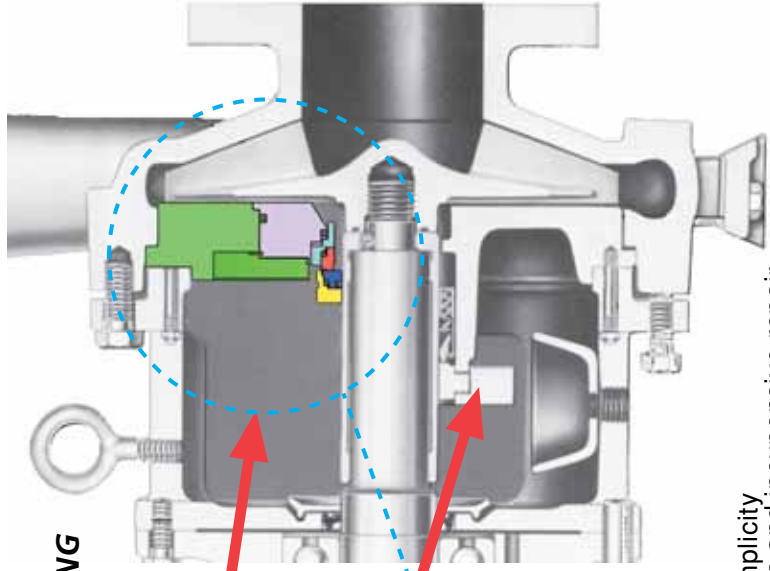
Out of the box thinking for better performance.

THE ZA SINGLE SEAL

PATENT PENDING

The Better Way...

...The Old Way



Design

- Engineered for simplicity
- Inexpensive design and inexpensive repair

Front Installed Cartridge Seal

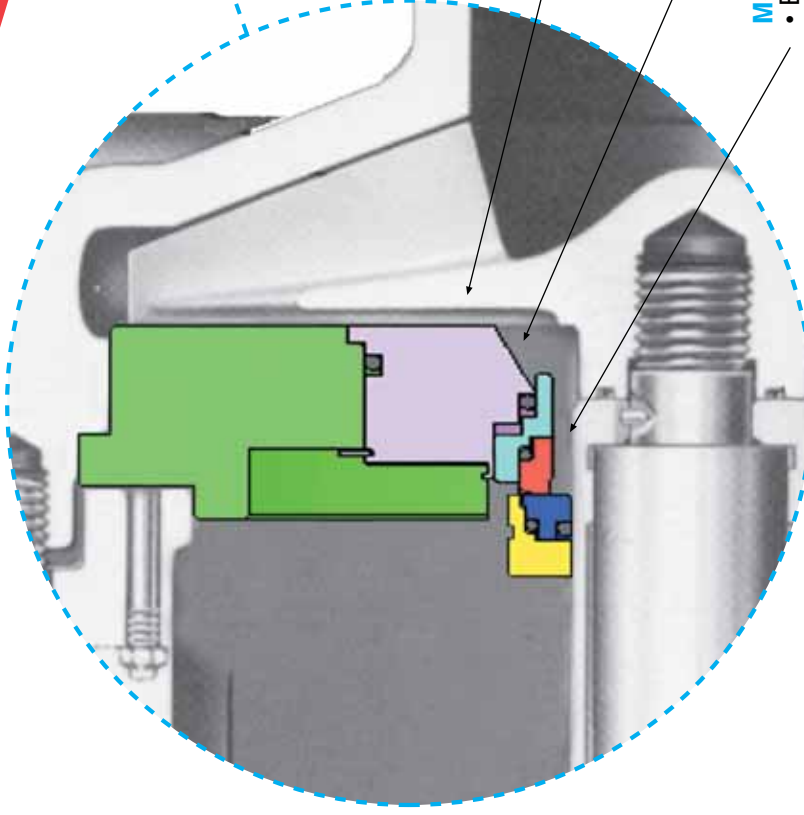
- Eliminates stuffing box removal
- Quicker installation and faster turnaround

Self-Cleaning Taper

- Eliminates any flush requirements
- Eliminates most premature failures

More room around seal components

- Better lubrication & cooling
- Longer seal life than any competition



Exploded View

ZMT
 Z M Technologies
 (209) 547-1965
 FAX (209) 464-8140

Standard Cartridge Seal	ZMT Cartridge Seal	Benefits
Forced to fit in a small space	Ample room for lubrication and cooling	Longer seal life
Disassemble entire pump for seal removal	Simplified seal removal from pump	Quicker installation and faster turnaround
Expensive and complicated design	Simple and inexpensive design	Saves money on seal repair
Requires some type of flushing	Self-cleaning design eliminates flushing	Easier installation and better performance